

⚠ WARNING:
INSTALL PRODUCT IN ACCORDANCE WITH LOCAL AND NATIONAL ELECTRICAL CODES.

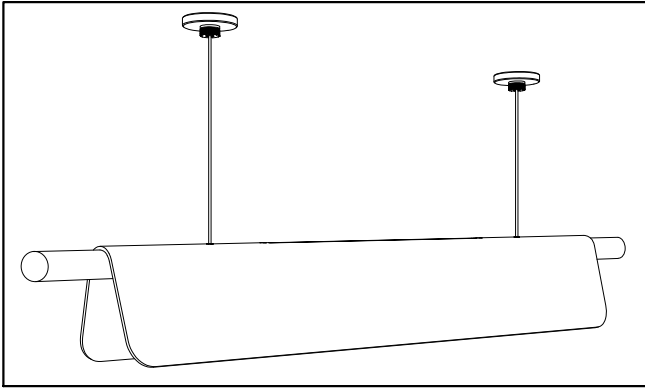
⚠ WARNING:
FAILURE TO COMPLY WITH THE INSTALLATION INSTRUCTIONS MAY RESULT IN DEATH OR SERIOUS INJURY

⚠ WARNING:
READ ALL SAFETY INSTRUCTIONS INCLUDED WITH PRODUCT BEFORE INSTALLING.

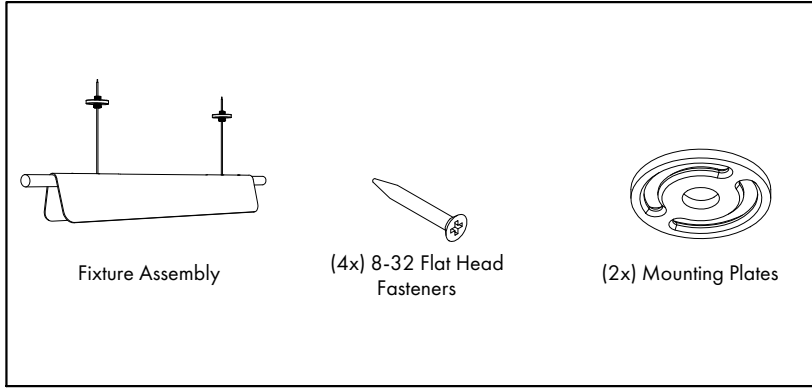
CAUTION:
THIS IS AN ELECTRONIC DEVICE. CARE MUST BE TAKEN DURING STORAGE AND HANDLING. STORE IN A CLEAN, COOL AND DRY LOCATION. ELECTROSTATIC DISCHARGE (ESD) CAN HARM THIS PRODUCT. AVOID STATIC DISCHARGE WHILE HANDLING THIS PRODUCT.

CAUTION:
INSIGHT LIGHTING IS NOT RESPONSIBLE FOR THE STRUCTURAL INTEGRITY OF THE BUILDING TO SUPPORT THE LUMINAIRE. ADDITIONAL BACKING MAY BE REQUIRED.

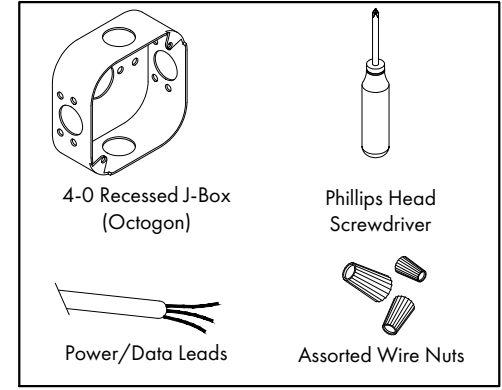
ISOMETRIC VIEWS



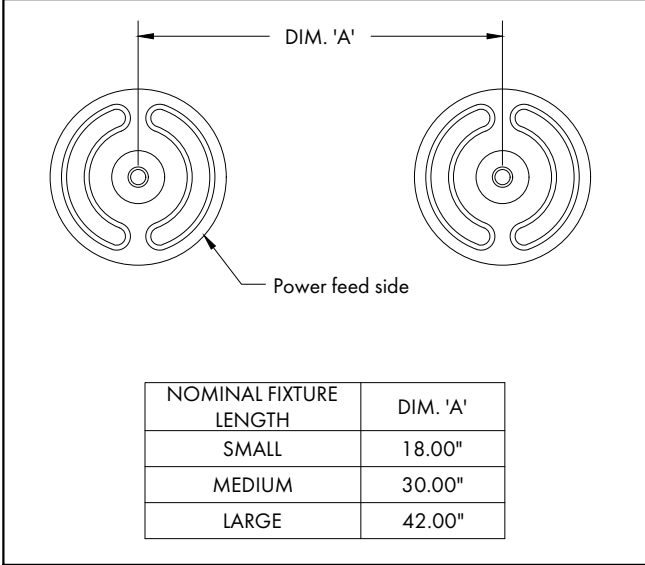
PACKAGE INCLUDES:



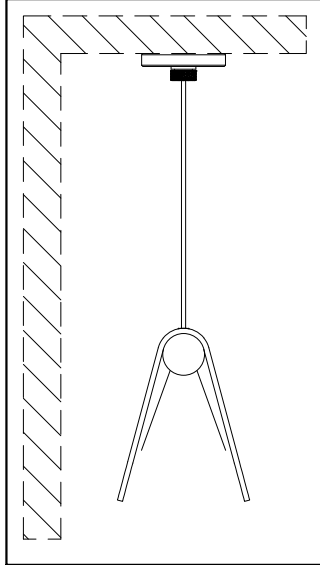
ITEMS NEEDED (SUPPLIED BY OTHERS):



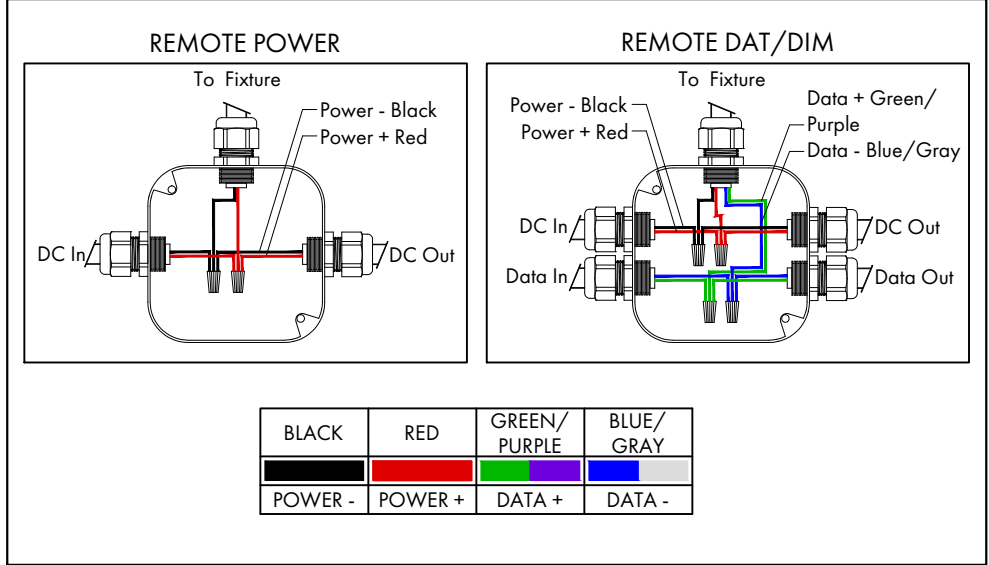
MOUNTING DIMENSIONS



MOUNTING OPTIONS

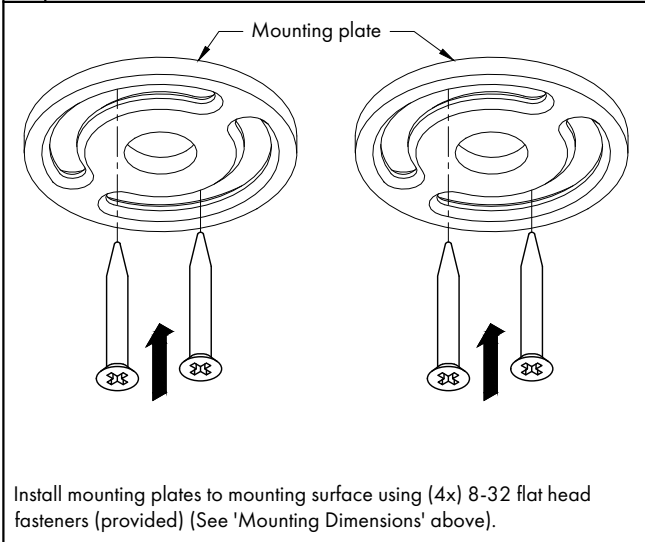


WIRING DETAILS

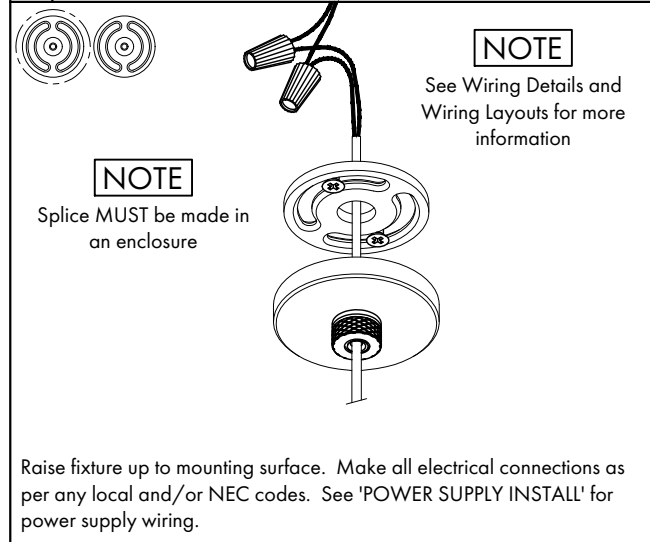


SUSPENSION ARCHITECTURAL MOUNT INSTALL

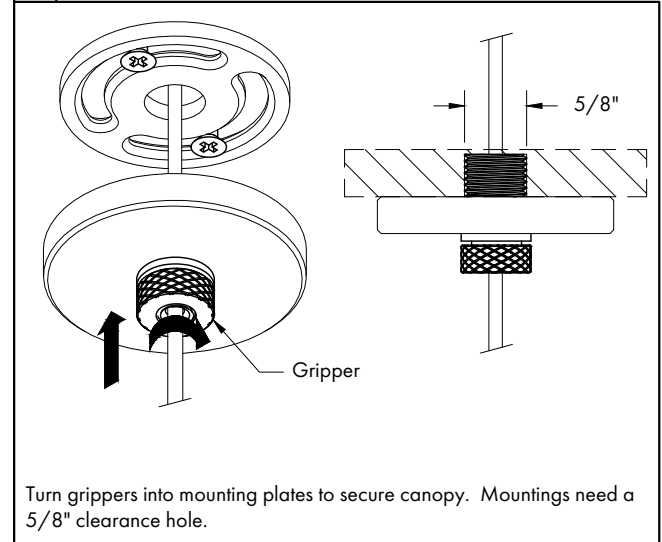
1 INSTALL MOUNTING PLATES



2 ELECTRICAL CONNECTIONS

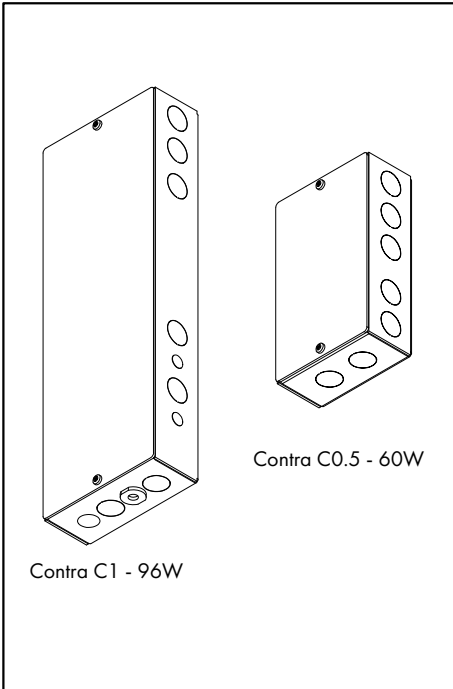


3 ATTACH GRIPPERS TO MOUNTING PLATES

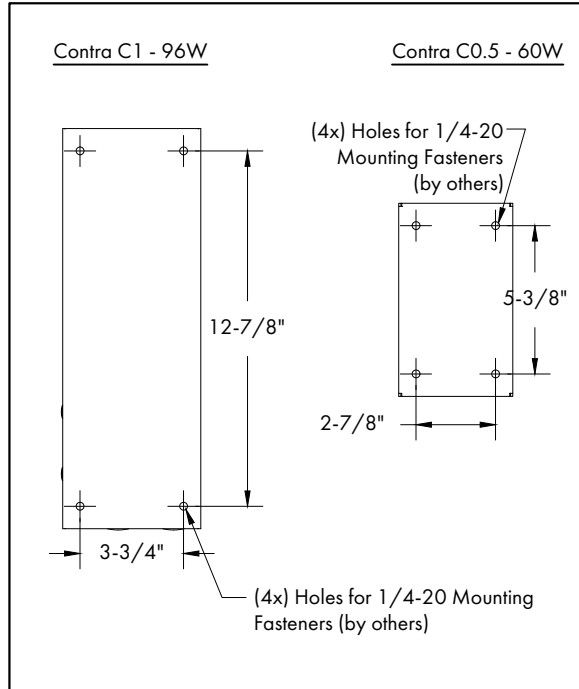


POWER SUPPLY INSTALL

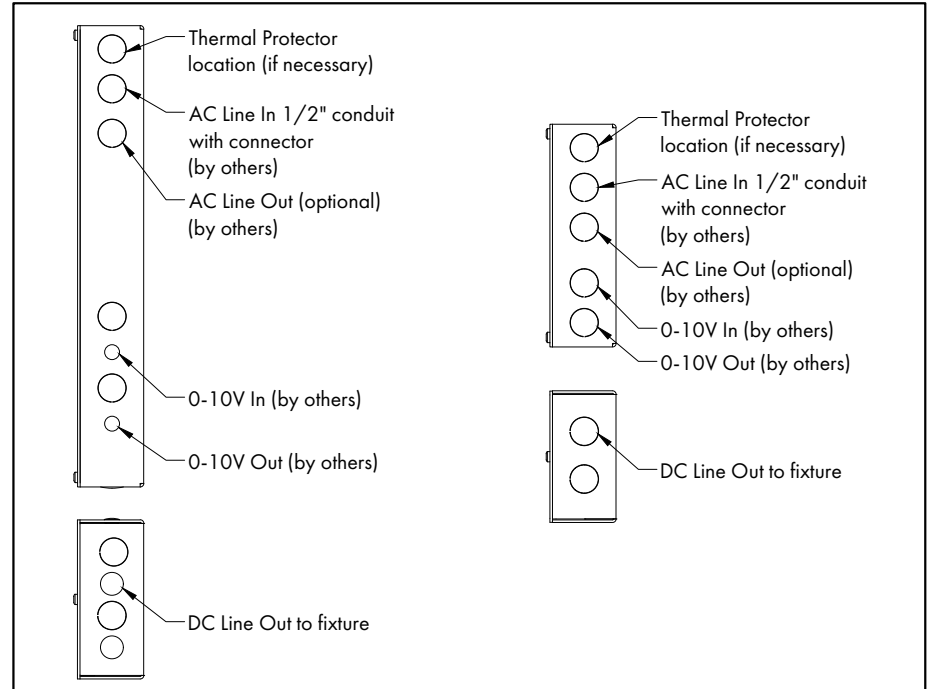
ISOMETRIC VIEWS



MOUNTING DIMENSIONS



CONDUIT SIZES



⚠ WARNING:
INSTALL PRODUCT IN ACCORDANCE WITH LOCAL AND NATIONAL ELECTRICAL CODES.

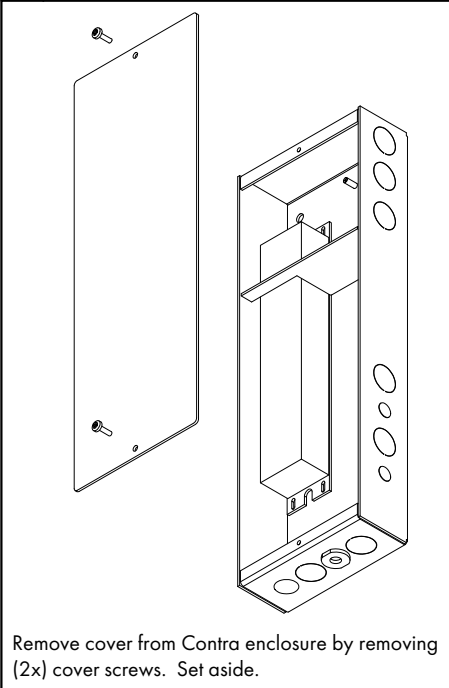
⚠ WARNING:
FAILURE TO COMPLY WITH THE INSTALLATION INSTRUCTIONS MAY RESULT IN DEATH OR SERIOUS INJURY

⚠ WARNING:
READ ALL SAFETY INSTRUCTIONS INCLUDED WITH PRODUCT BEFORE INSTALLING.

CAUTION:
THIS IS AN ELECTRONIC DEVICE. CARE MUST BE TAKEN DURING STORAGE AND HANDLING. STORE IN A CLEAN, COOL AND DRY LOCATION. ELECTROSTATIC DISCHARGE (ESD) CAN HARM THIS PRODUCT. AVOID STATIC DISCHARGE WHILE HANDLING THIS PRODUCT.

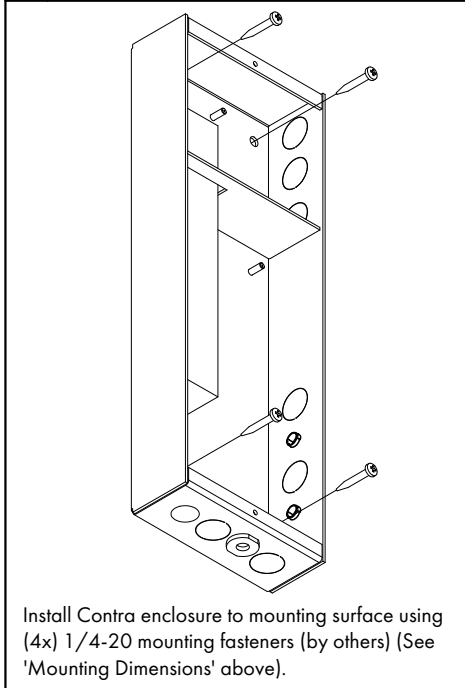
CAUTION:
INSIGHT LIGHTING IS NOT RESPONSIBLE FOR THE STRUCTURAL INTEGRITY OF THE BUILDING TO SUPPORT THE LUMINAIRE. ADDITIONAL BACKING MAY BE REQUIRED.

1 REMOVE COVER



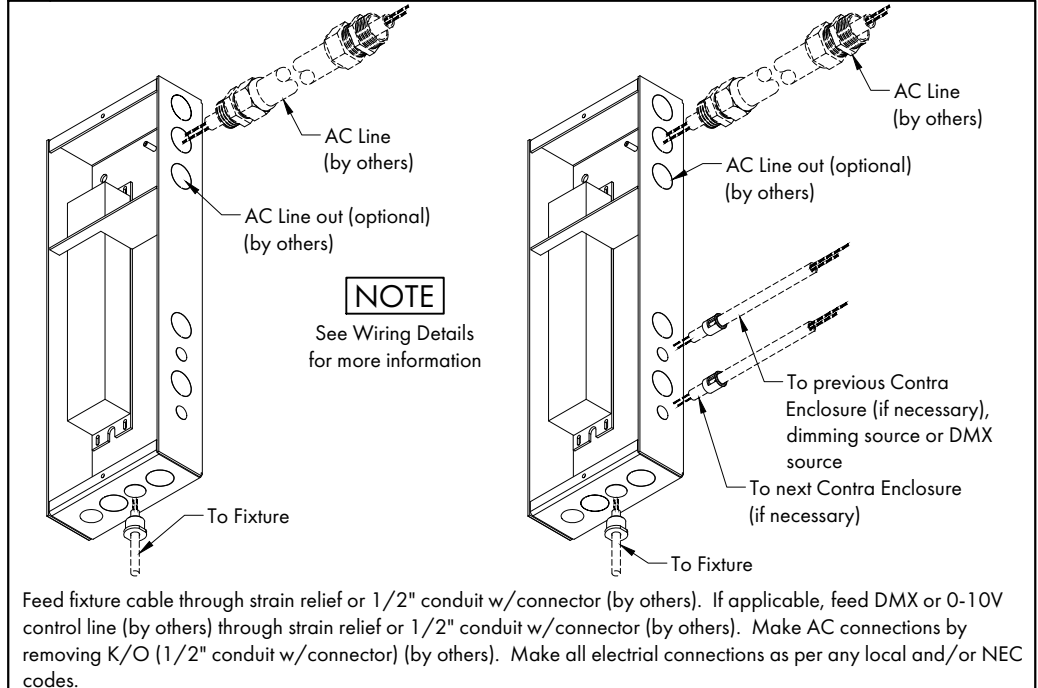
Remove cover from Contra enclosure by removing (2x) cover screws. Set aside.

2 INSTALL ENCLOSURE



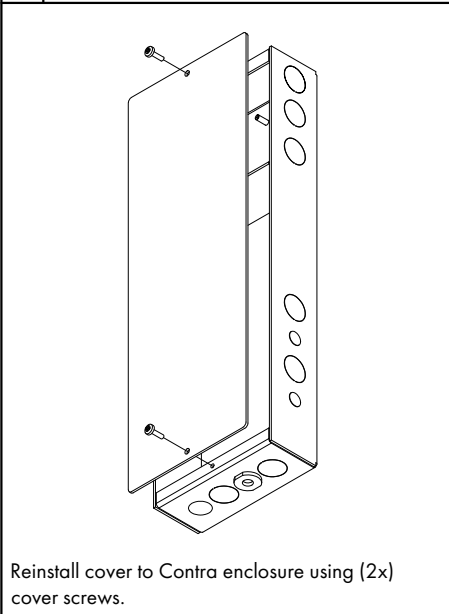
Install Contra enclosure to mounting surface using (4x) 1/4-20 mounting fasteners (by others) (See 'Mounting Dimensions' above).

3 ELECTRICAL CONNECTIONS



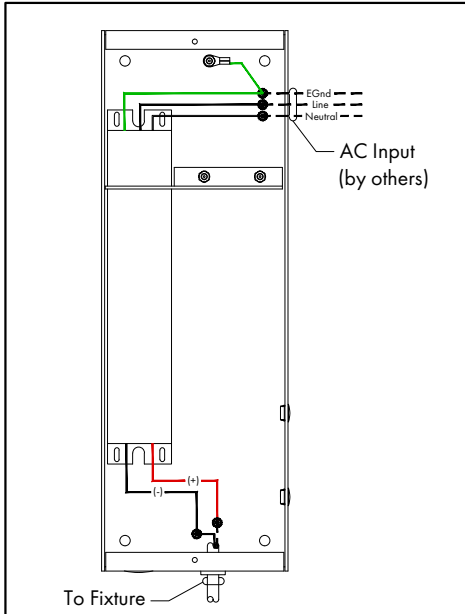
Feed fixture cable through strain relief or 1/2" conduit w/connector (by others). If applicable, feed DMX or 0-10V control line (by others) through strain relief or 1/2" conduit w/connector (by others). Make AC connections by removing K/O (1/2" conduit w/connector) (by others). Make all electrical connections as per any local and/or NEC codes.

4 REINSTALL COVER

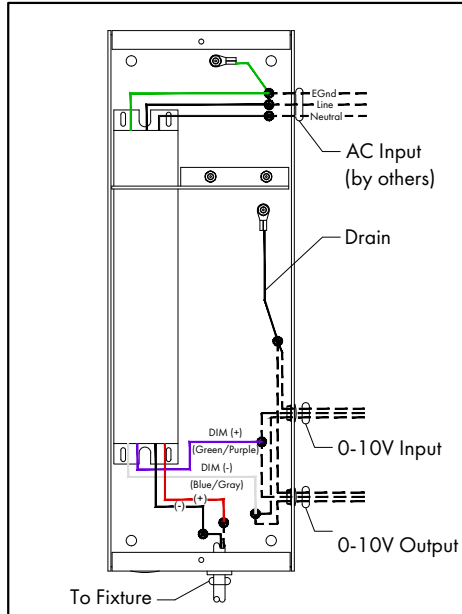


Reinstall cover to Contra enclosure using (2x) cover screws.

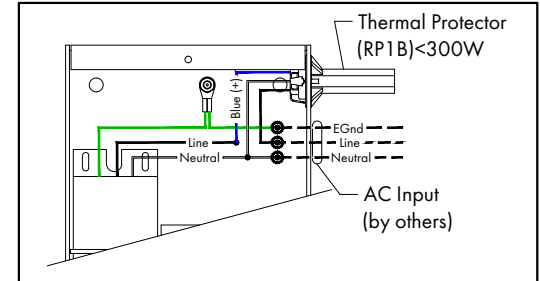
WIRING DETAILS- C1/PWR/CC



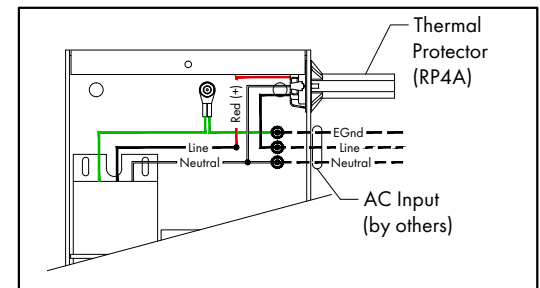
WIRING DETAILS- C1/DIM/CC



WIRING DETAILS- PLENUM RATED 120V



WIRING DETAILS- PLENUM RATED 120V



NOTE: Wiring between the j-box and the Contra is by others. Suspension cable is not to be used outside of the j-box.

⚠ WARNING:
INSTALL PRODUCT IN ACCORDANCE WITH LOCAL AND NATIONAL ELECTRICAL CODES.

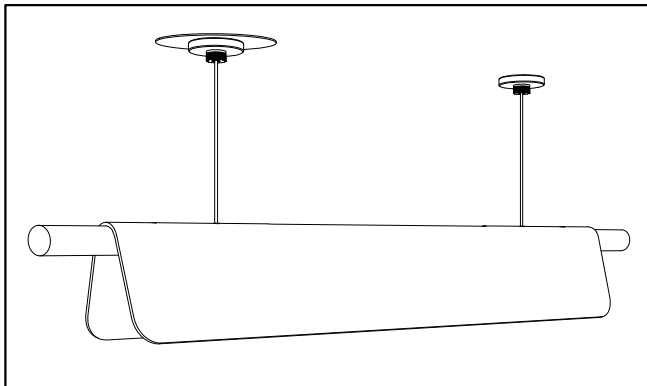
⚠ WARNING:
FAILURE TO COMPLY WITH THE INSTALLATION INSTRUCTIONS MAY RESULT IN DEATH OR SERIOUS INJURY

⚠ WARNING:
READ ALL SAFETY INSTRUCTIONS INCLUDED WITH PRODUCT BEFORE INSTALLING.

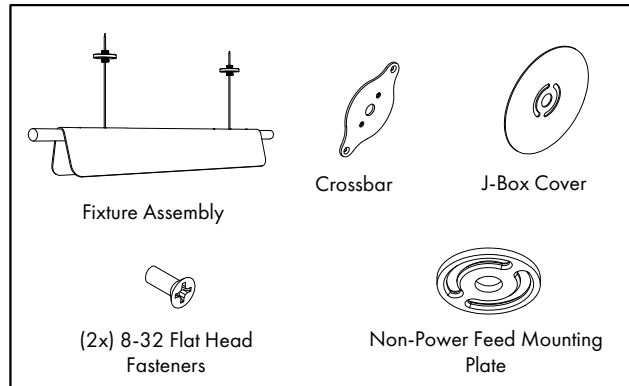
CAUTION:
THIS IS AN ELECTRONIC DEVICE. CARE MUST BE TAKEN DURING STORAGE AND HANDLING. STORE IN A CLEAN, COOL AND DRY LOCATION. ELECTROSTATIC DISCHARGE (ESD) CAN HARM THIS PRODUCT. AVOID STATIC DISCHARGE WHILE HANDLING THIS PRODUCT.

CAUTION:
INSIGHT LIGHTING IS NOT RESPONSIBLE FOR THE STRUCTURAL INTEGRITY OF THE BUILDING TO SUPPORT THE LUMINAIRE. ADDITIONAL BACKING MAY BE REQUIRED.

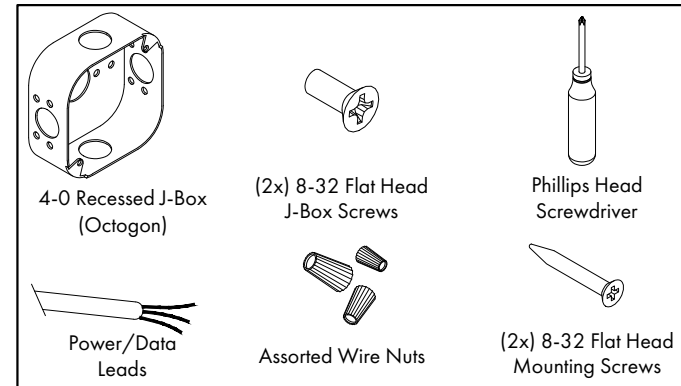
ISOMETRIC VIEWS



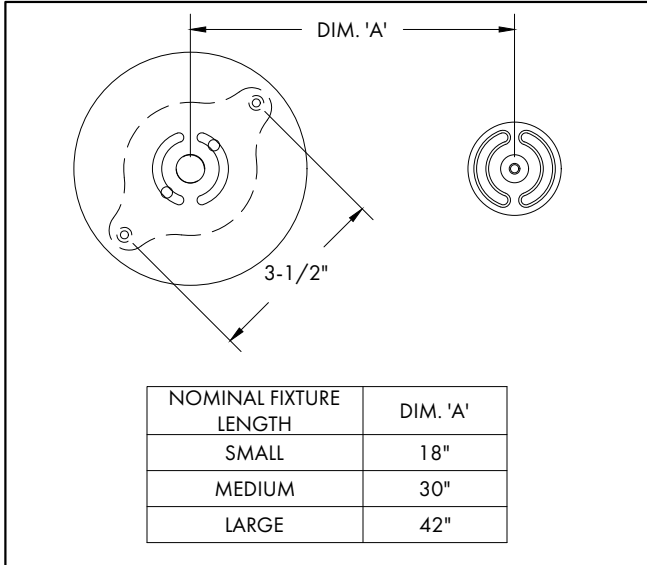
PACKAGE INCLUDES:



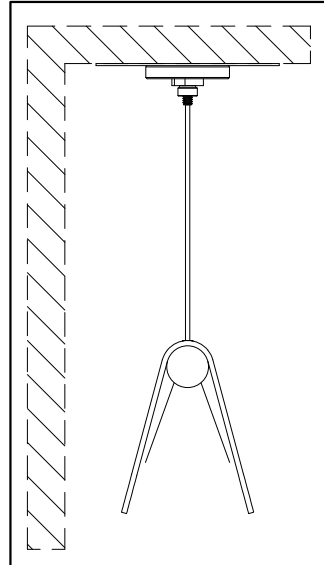
ITEMS NEEDED (SUPPLIED BY OTHERS):



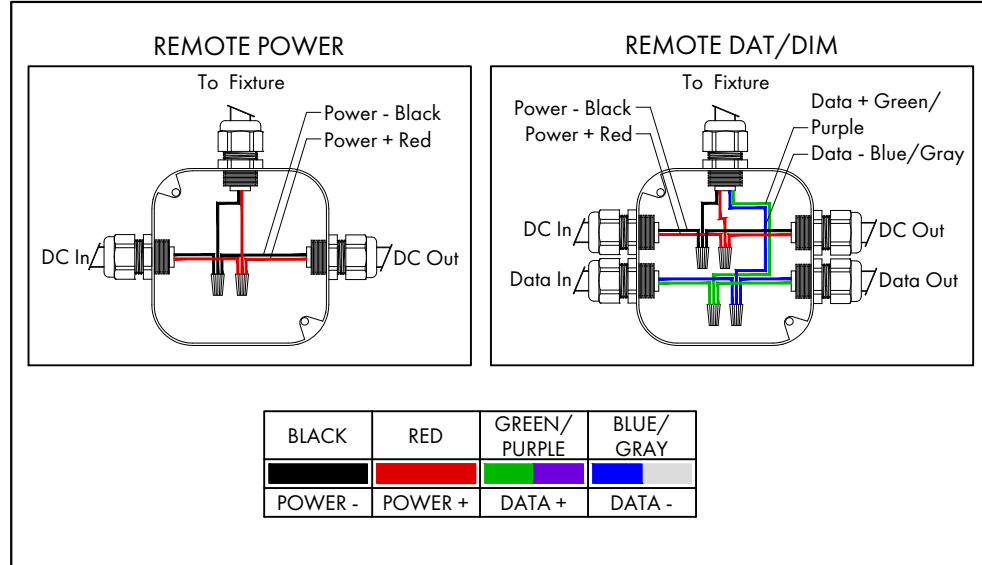
MOUNTING DIMENSIONS



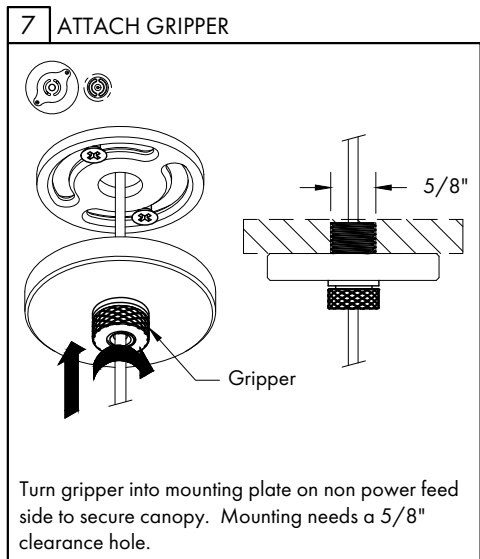
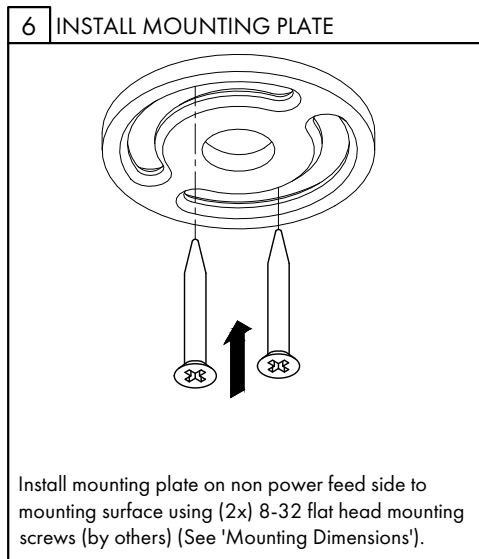
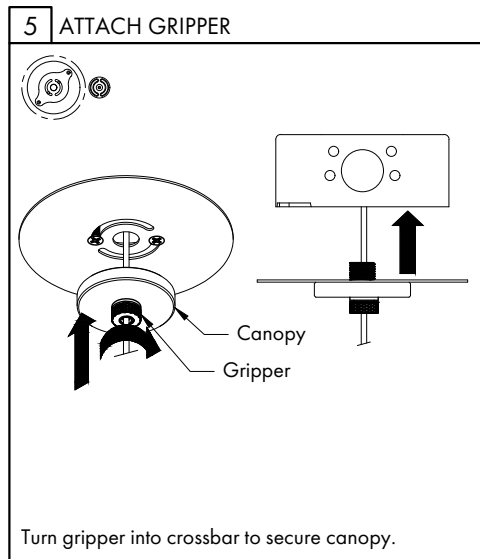
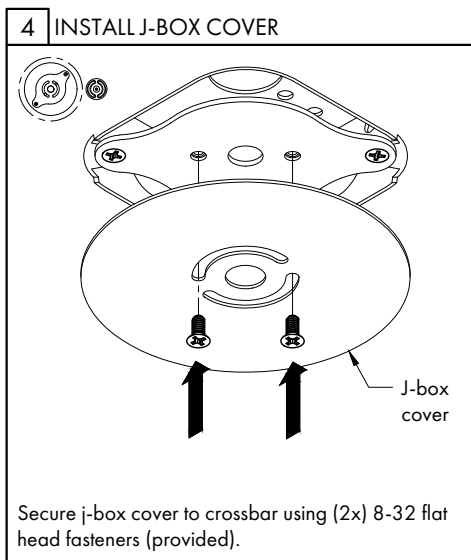
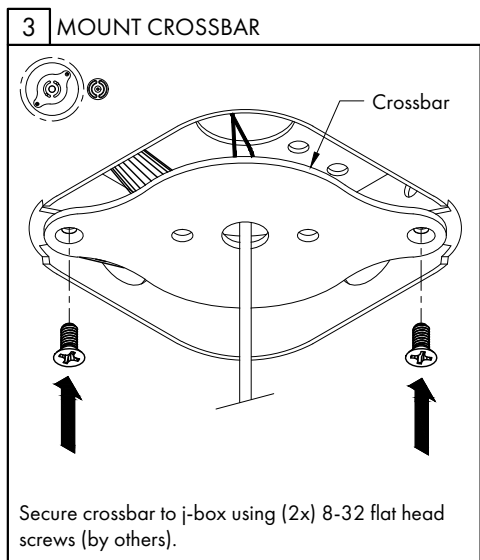
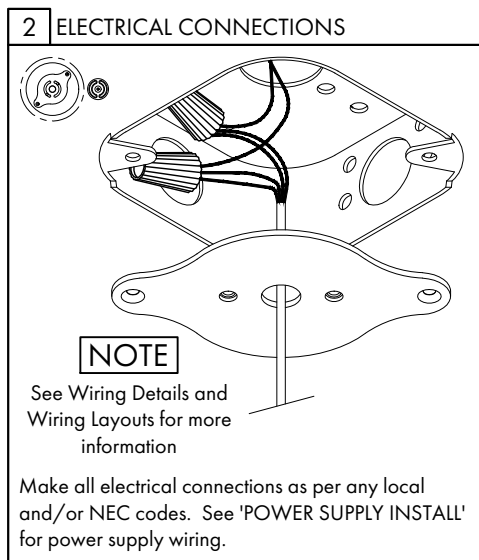
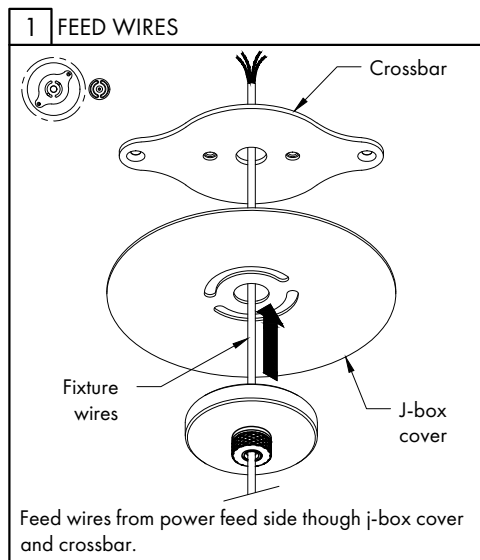
MOUNTING OPTIONS



WIRING DETAILS



SUSPENSION J-BOX MOUNT INSTALL



⚠ WARNING:
INSTALL PRODUCT IN ACCORDANCE WITH LOCAL AND NATIONAL ELECTRICAL CODES.

⚠ WARNING:
FAILURE TO COMPLY WITH THE INSTALLATION INSTRUCTIONS MAY RESULT IN DEATH OR SERIOUS INJURY

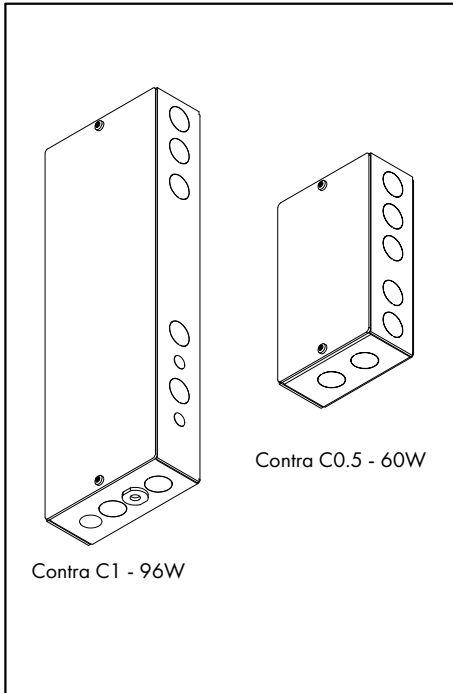
⚠ WARNING:
READ ALL SAFETY INSTRUCTIONS INCLUDED WITH PRODUCT BEFORE INSTALLING.

CAUTION:
THIS IS AN ELECTRONIC DEVICE. CARE MUST BE TAKEN DURING STORAGE AND HANDLING. STORE IN A CLEAN, COOL AND DRY LOCATION. ELECTROSTATIC DISCHARGE (ESD) CAN HARM THIS PRODUCT. AVOID STATIC DISCHARGE WHILE HANDLING THIS PRODUCT.

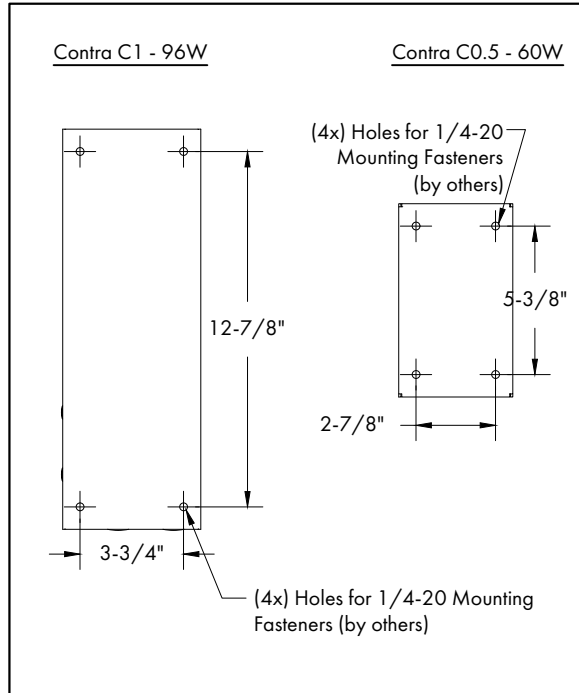
CAUTION:
INSIGHT LIGHTING IS NOT RESPONSIBLE FOR THE STRUCTURAL INTEGRITY OF THE BUILDING TO SUPPORT THE LUMINAIRE. ADDITIONAL BACKING MAY BE REQUIRED.

POWER SUPPLY INSTALL

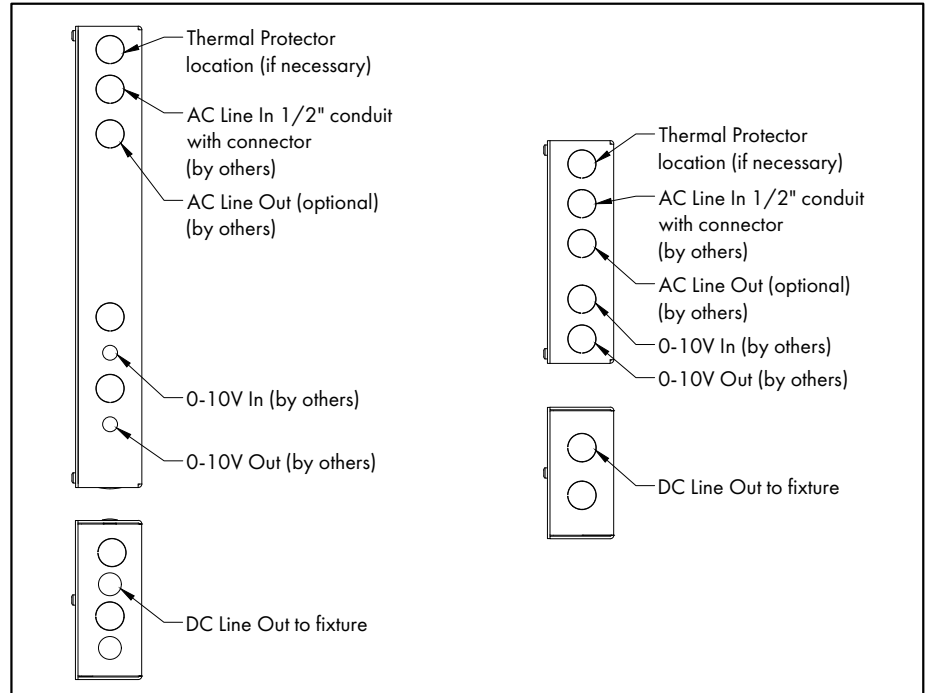
ISOMETRIC VIEWS



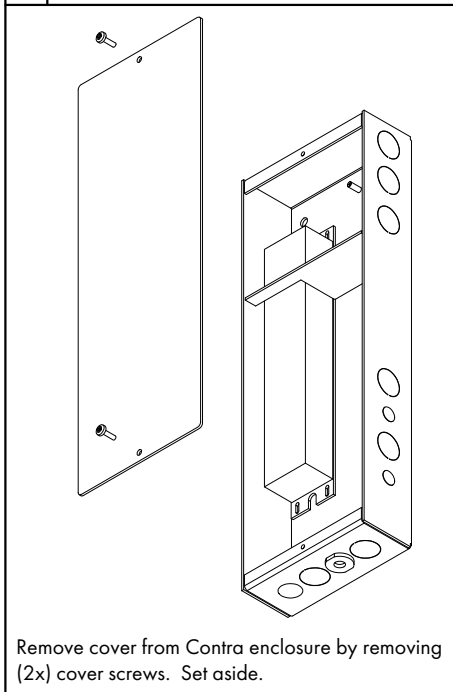
MOUNTING DIMENSIONS



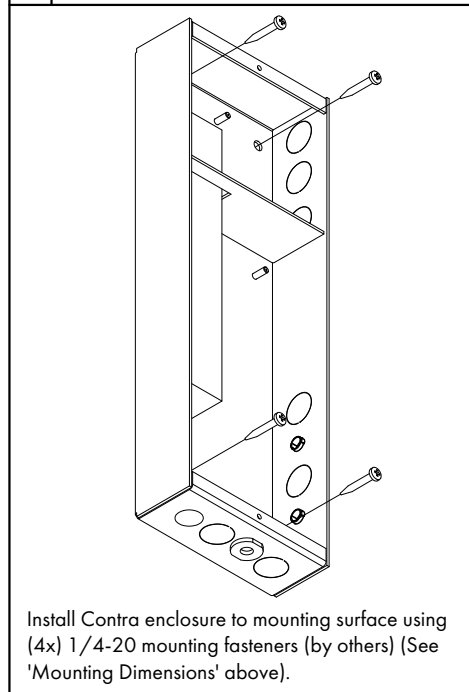
CONDUIT SIZES



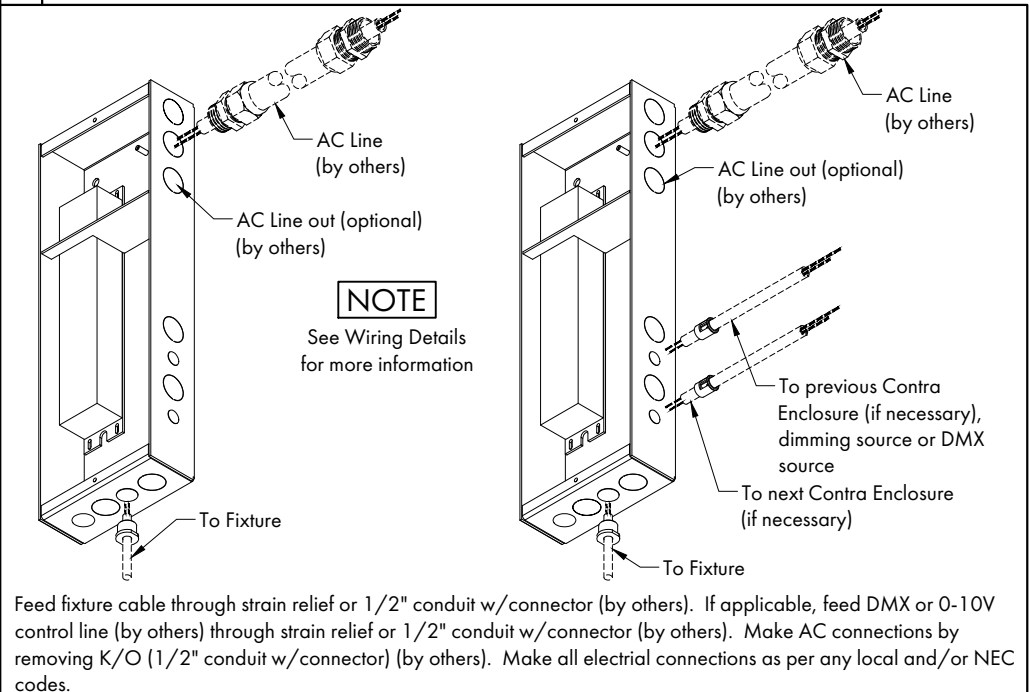
1 REMOVE COVER



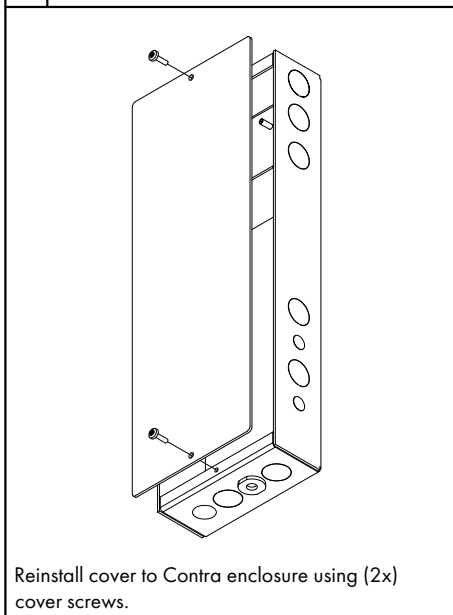
2 INSTALL ENCLOSURE



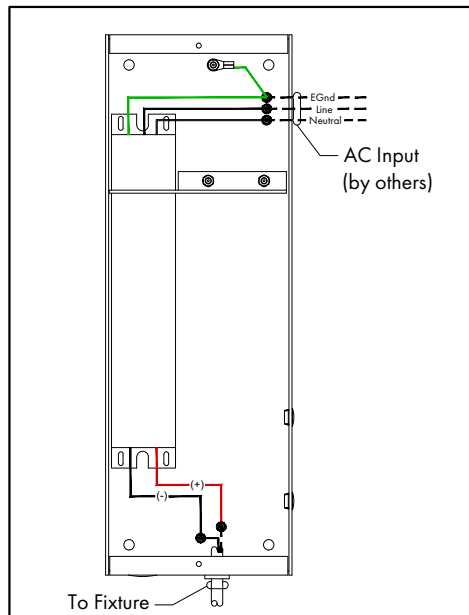
3 ELECTRICAL CONNECTIONS



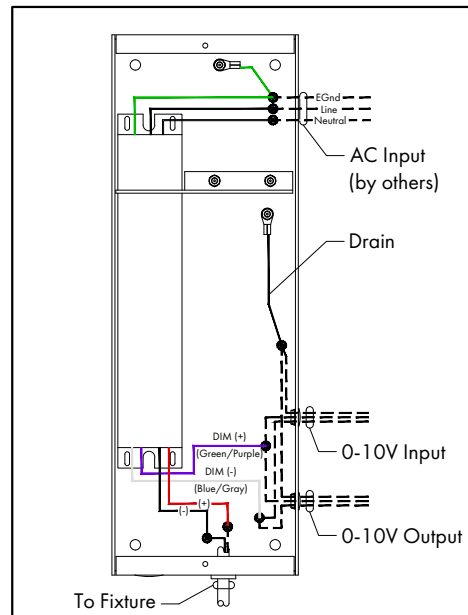
4 REINSTALL COVER



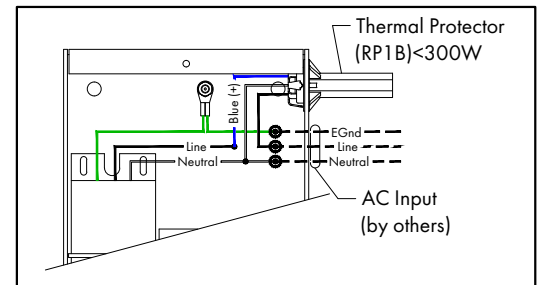
WIRING DETAILS- C1/PWR/CC



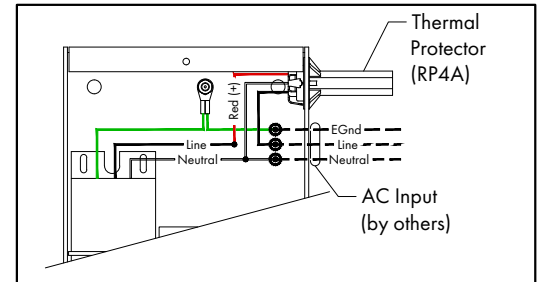
WIRING DETAILS- C1/DIM/CC



WIRING DETAILS- PLENUM RATED 120V



WIRING DETAILS- PLENUM RATED 120V



NOTE: Wiring between the j-box and the Contra is by others. Suspension cable is not to be used outside of the j-box.

WARNING:
INSTALL PRODUCT IN ACCORDANCE WITH LOCAL AND NATIONAL ELECTRICAL CODES.

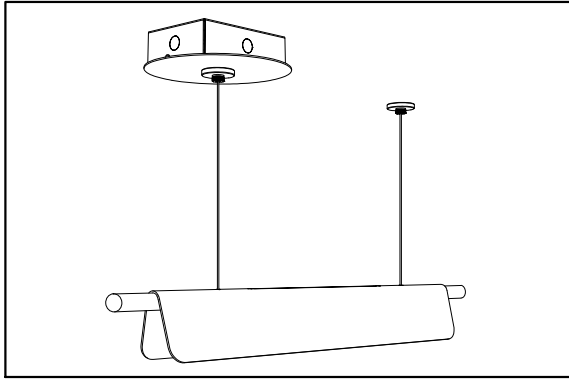
WARNING:
FAILURE TO COMPLY WITH THE INSTALLATION INSTRUCTIONS MAY RESULT IN DEATH OR SERIOUS INJURY

WARNING:
READ ALL SAFETY INSTRUCTIONS INCLUDED WITH PRODUCT BEFORE INSTALLING.

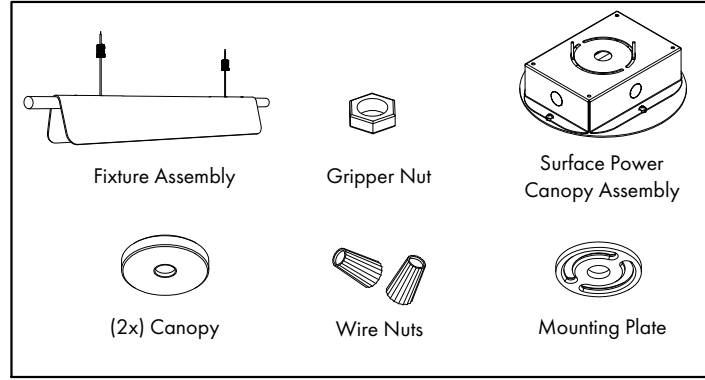
CAUTION:
THIS IS AN ELECTRONIC DEVICE. CARE MUST BE TAKEN DURING STORAGE AND HANDLING. STORE IN A CLEAN, COOL AND DRY LOCATION. ELECTROSTATIC DISCHARGE (ESD) CAN HARM THIS PRODUCT. AVOID STATIC DISCHARGE WHILE HANDLING THIS PRODUCT.

CAUTION:
INSIGHT LIGHTING IS NOT RESPONSIBLE FOR THE STRUCTURAL INTEGRITY OF THE BUILDING TO SUPPORT THE LUMINAIRE. ADDITIONAL BACKING MAY BE REQUIRED.

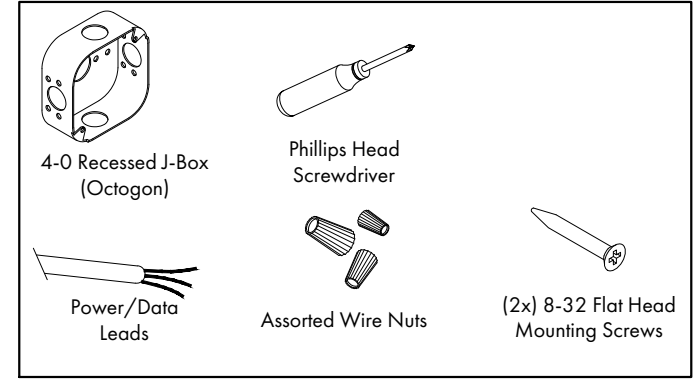
ISOMETRIC VIEWS



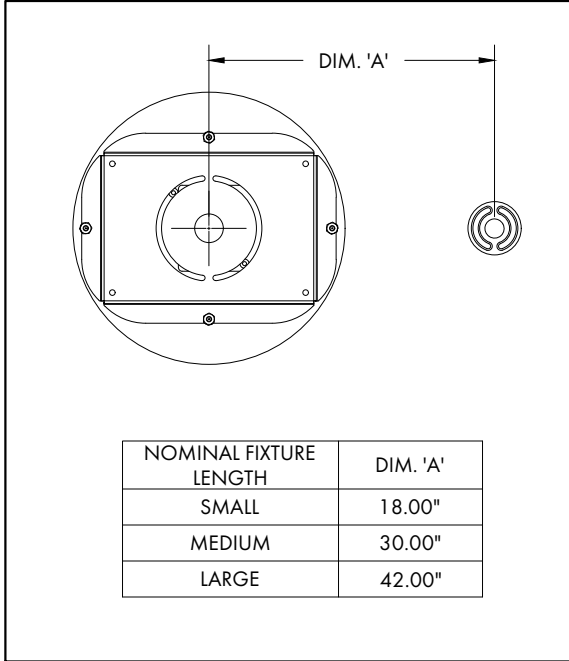
PACKAGE INCLUDES:



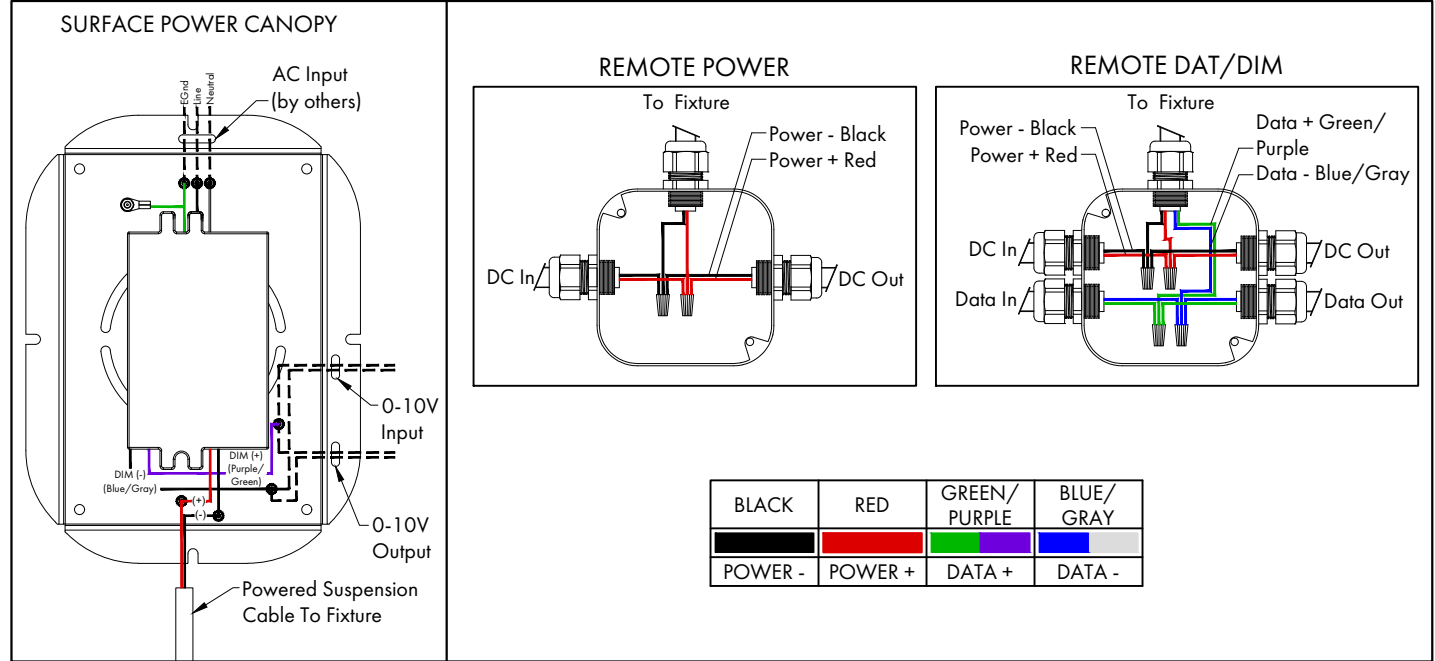
ITEMS NEEDED (SUPPLIED BY OTHERS):



MOUNTING DIMENSIONS

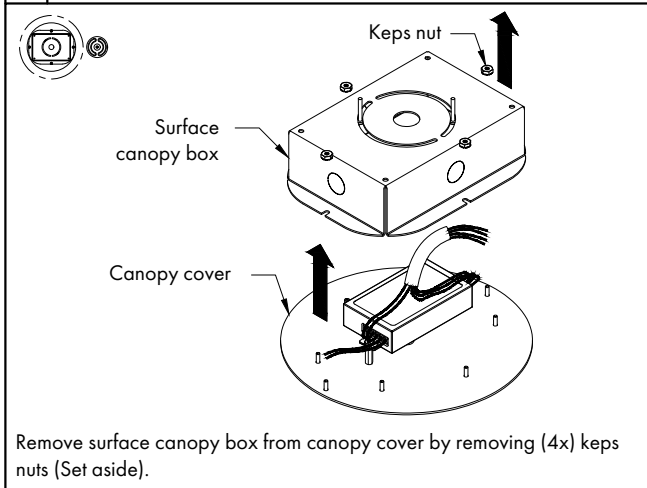


WIRING DETAILS

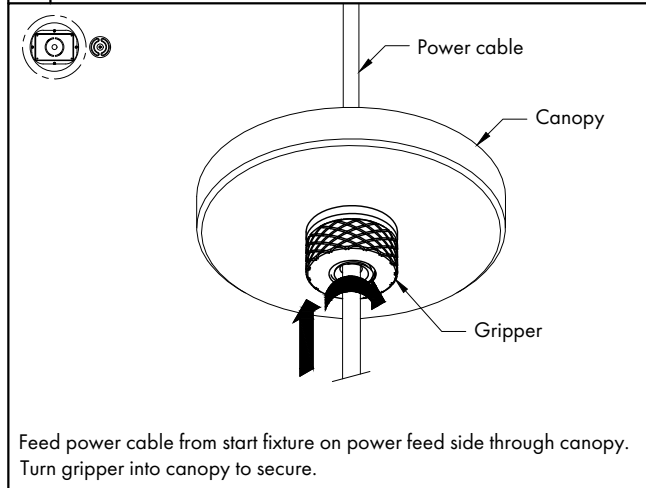


INTEGRAL SUSPENSION J-BOX MOUNT INSTALL

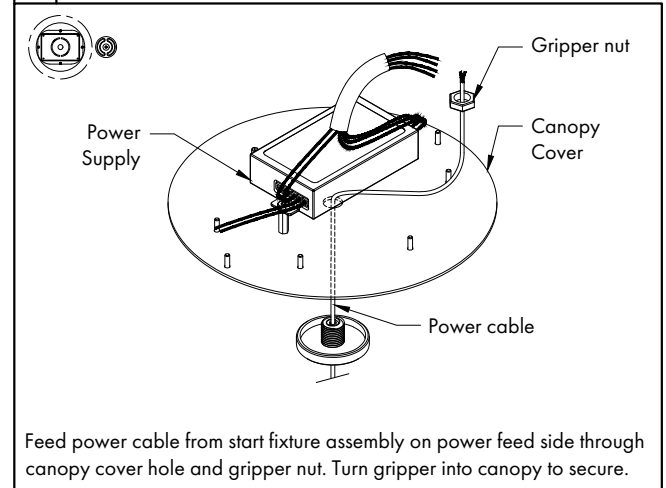
1 REMOVE CANOPY BOX



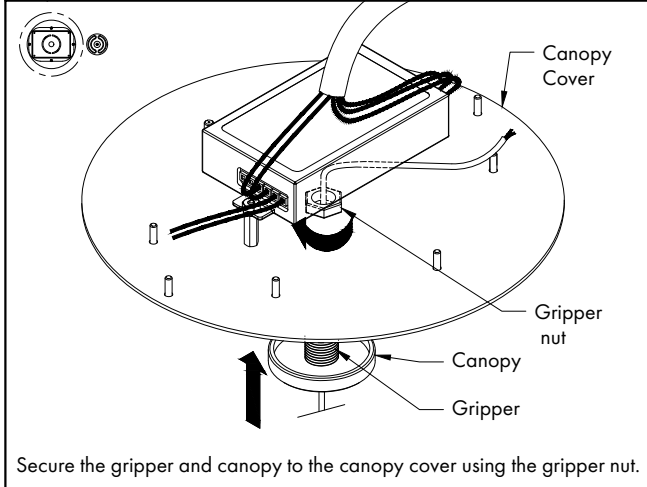
2 ATTACH CANOPY



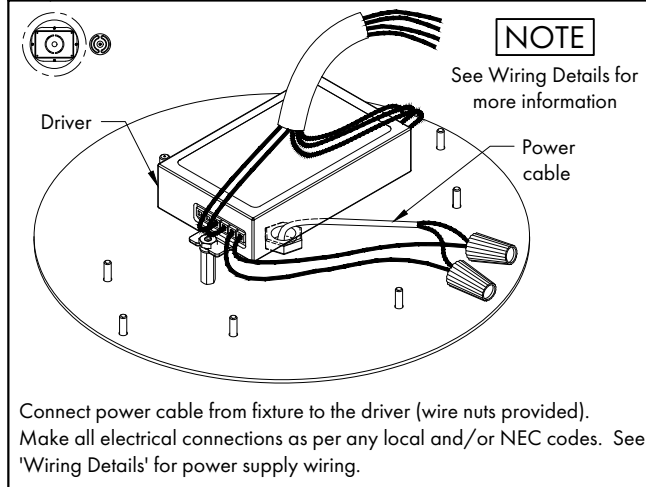
3 ATTACH CANOPY COVER



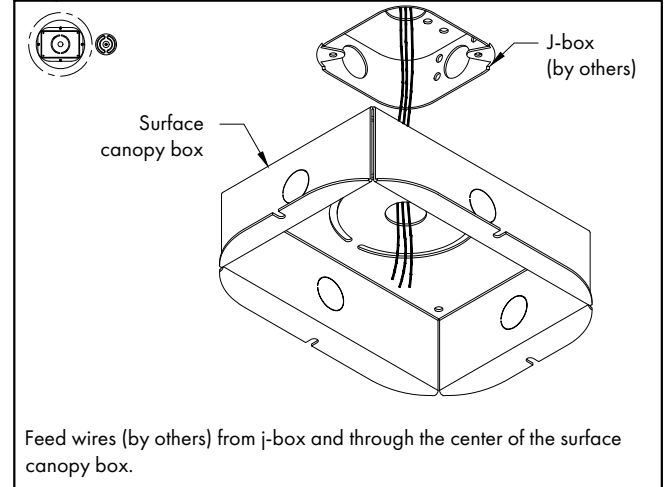
4 SECURE GRIPPER AND CANOPY



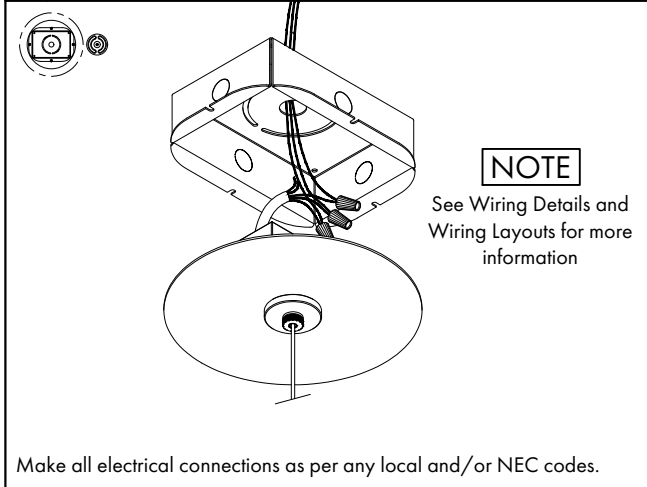
5 ELECTRICAL CONNECTIONS



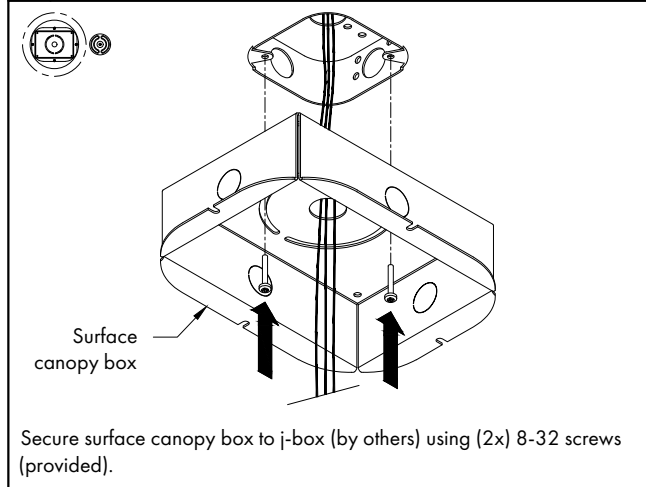
6 FEED WIRES



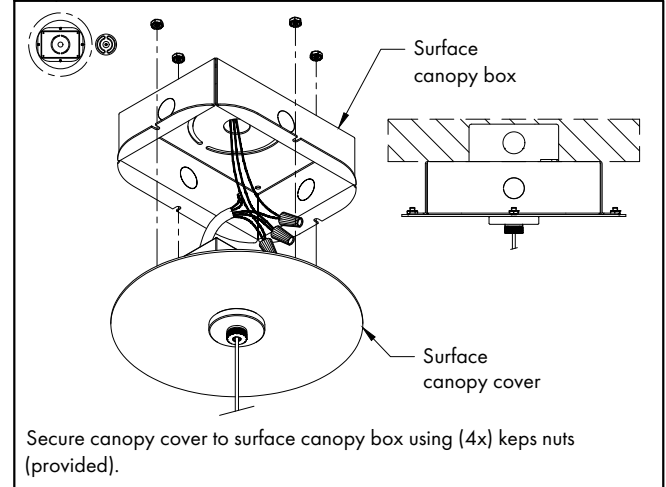
7 ELECTRICAL CONNECTIONS



8 INSTALL CANOPY BOX



9 INSTALL CANOPY COVER



⚠ WARNING:
INSTALL PRODUCT IN
ACCORDANCE WITH LOCAL
AND NATIONAL ELECTRICAL
CODES.

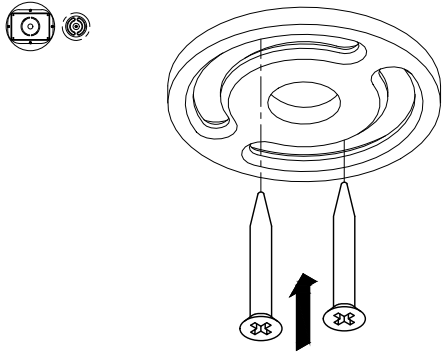
⚠ WARNING:
FAILURE TO COMPLY WITH THE
INSTALLATION INSTRUCTIONS
MAY RESULT IN DEATH OR
SERIOUS INJURY

⚠ WARNING:
READ ALL SAFETY INSTRUCTIONS
INCLUDED WITH PRODUCT
BEFORE INSTALLING.

CAUTION:
THIS IS AN ELECTRONIC DEVICE. CARE MUST BE TAKEN
DURING STORAGE AND HANDLING. STORE IN A CLEAN,
COOL AND DRY LOCATION. ELECTROSTATIC DISCHARGE (ESD)
CAN HARM THIS PRODUCT. AVOID STATIC DISCHARGE WHILE
HANDLING THIS PRODUCT.

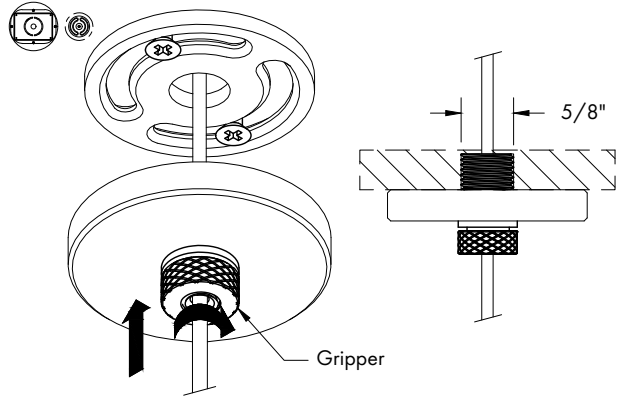
CAUTION:
INSIGHT LIGHTING IS NOT RESPONSIBLE
FOR THE STRUCTURAL INTEGRITY OF THE
BUILDING TO SUPPORT THE LUMINAIRE.
ADDITIONAL BACKING MAY BE REQUIRED.

10 | INSTALL NON POWER FEED MOUNTING PLATE



Install mounting plate on non power feed side to mounting surface using (2x) 8-32 flat head fasteners (by others) (See 'Mounting Dimensions').

11 | ATTACH GRIPPER TO MOUNTING PLATE



Turn gripper into mounting plate on non power feed side to secure canopy. Mounting needs a 5/8" clearance hole.