

⚠ WARNING:

Install product in accordance with local/NEC codes. **Disconnect power during installation and servicing.**

Failure to comply with the installation instructions may result in death or serious injury.

Read all safety instructions included with product before installing.

ⓘ CAUTION:

Insight Lighting is not responsible for the structural integrity of the building to the luminaire. Additional backing may be required.

Care must be taken during storage and handling. Store in a clean, cool and dry location. Electrostatic discharge can harm this product. Avoid static discharge while handling this product.

⊕ PRODUCT INFORMATION:

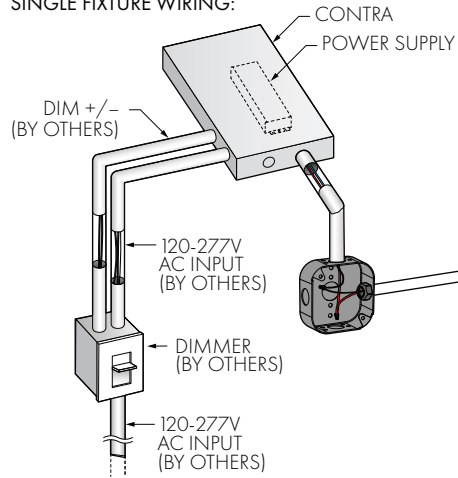


INSTALLATION SHEET



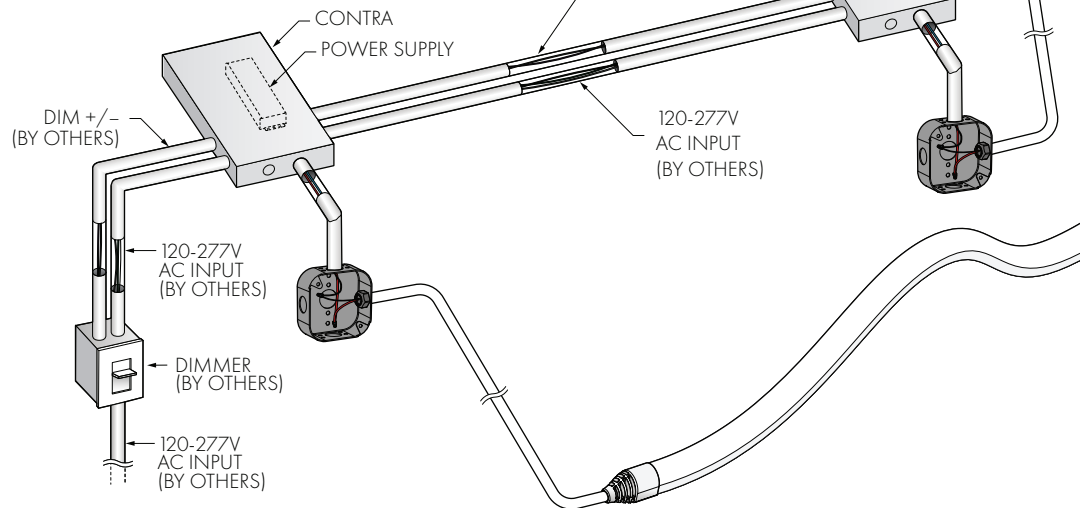
SPECIFICATION SHEET

SINGLE FIXTURE WIRING:

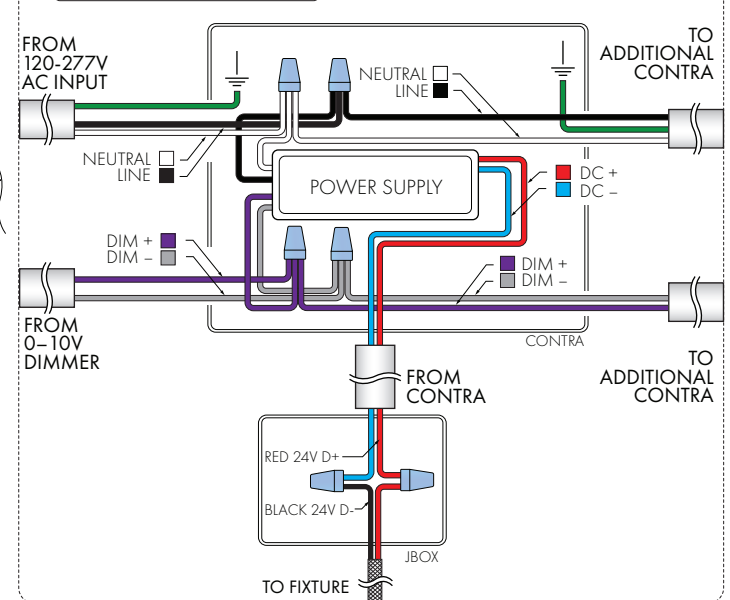


⚠ DO NOT MAKE FIXTURE CONNECTIONS WHILE POWER IS ON.

CONTINUOUS RUN WIRING:



0-10V DAISY CHAIN WIRING



⚠ WARNING:

Install product in accordance with local/NEC codes. **Disconnect power during installation and servicing.**

Failure to comply with the installation instructions may result in death or serious injury.

Read all safety instructions included with product before installing.

⚠ CAUTION:

Insight Lighting is not responsible for the structural integrity of the building to the luminaire. Additional backing may be required.

Care must be taken during storage and handling. Store in a clean, cool and dry location. Electrostatic discharge can harm this product. Avoid static discharge while handling this product.

⊕ PRODUCT INFORMATION:



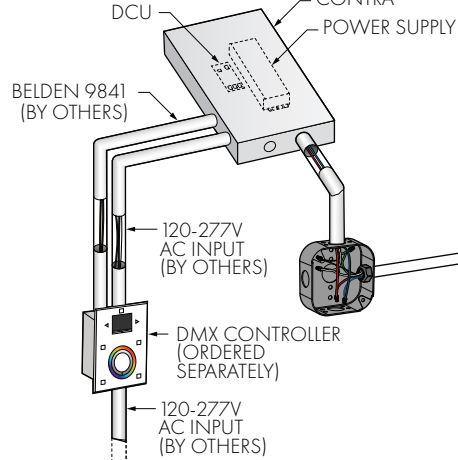
INSTALLATION SHEET



SPECIFICATION SHEET

⚠ DO NOT MAKE FIXTURE CONNECTIONS WHILE POWER IS ON.

SINGLE FIXTURE WIRING:



CONTINUOUS RUN WIRING:

