

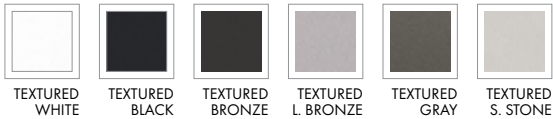
PROJECT:	TYPE:	CATALOG #:	CYNE - 15 - RGBW - - - UNV - DMXSY - -
			CYNE - 15-15 - RGBW - RGBW - - - WM2 - UNV - DMXSY - -

## PROFILE

LIGHT SOURCE	15.0W
OPTICS	10°, 20°, 40°, 60°, 100°
CCT	RGBW
PERFORMANCE	UP TO 8287 PEAK CANDELA
VOLTAGE	UNIVERSAL 120-277 V
POWER	INTEGRATED POWER SUPPLY
CONTROL	DMX SYSTEM RESOLUTION
DIMENSIONS	11" X 7.375" X 5.25", 16" X 7.375" X 5.25"
WEIGHT	11" FIXTURE: 7.0LBS(3.2 KG), 16" FIXTURE: 14.0LBS(6.4 KG)
HOUSING	EXTRUDED ALUMINUM HOUSING
LENS	TEMPERED GLASS
FINISH	HIGH DURABILITY POWDER COATING
WARRANTY	5-YEAR LIMITED
OPERATING TEMP	-30° C TO 45° C
LUMEN MAINTENANCE	84,000 HOURS
CERTIFICATION	ETL AND cETL FOR WET LOCATION

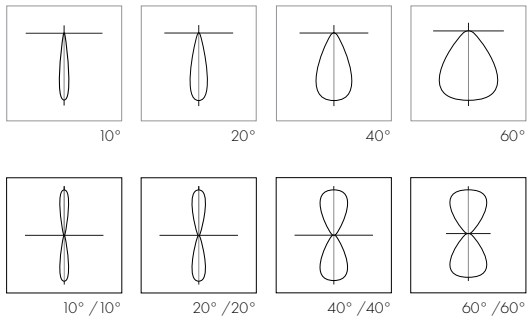


## STANDARD FINISHES

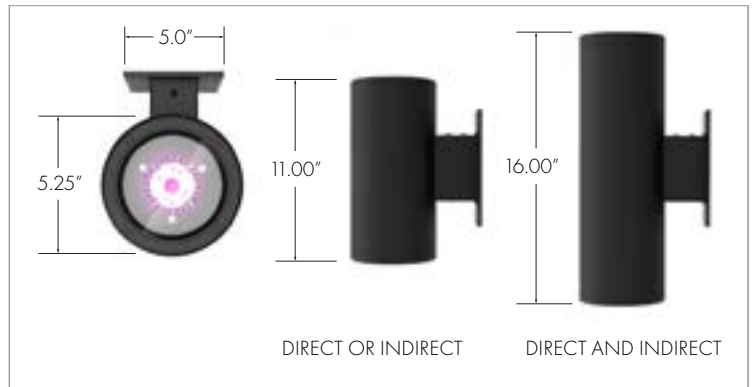


## OPTICS

NOT ALL AVAILABLE OPTICS SHOWN



## DIMENSIONS



## ACCESSORIES / OPTIONS



CORROSION RESISTANT FINISH

PROJECT:	TYPE:	CATALOG #:	CYNE - 15 - RGBW - - - UNV - DMXSY - -
			CYNE - 15-15 - RGBW - RGBW - - - WM2 - UNV - DMXSY - -

## SPECIFICATION

### DIRECT OR INDIRECT (11" FIXTURE)

CYNE	15	RGBW			UNV	DMXSY		
------	----	------	--	--	-----	-------	--	--

<b>1</b> FIXTURE	CYNDER	CYNE	<b>4</b> OPTICS	10°	10	<b>6</b> VOLTAGE	UNIVERSAL	UNV	<b>8</b> FINISH	TEXTURED WHITE	TW
				20°	20		120V - 277V			TEXTURED BLACK	TBL
<b>2</b> WATTAGE	15W	15		40°	40	<b>7</b> CONTROLS	DMX SYSTEM RESOLUTION	DMXSY		TEXTURED BRONZE	TBR
				60°	60		A DMX programmer for proper mixing is required. Must order separately. For independent fixture control, please contact factory.			TEXTURED LIGHT BRONZE	TLB
<b>3</b> CCT	RGBW	RGBW	<b>5</b> MOUNTING	100°	100					TEXTURED GRAY	TG
	DMX Programming and distribution kit required see below for details									TEXTURED SANDSTONE	TS
										CUSTOM COLOR	CC
										Contact factory for custom color. Additional charges will apply.	
									<b>9</b> OPTIONS	CORROSION RESISTANT FINISH	CRF
										Corrosion Resistance Complies with ASTM B117 standard	
										CRF is recommended for coastal or extreme exterior environments	

### DIRECT AND INDIRECT (16" FIXTURE)

CYNE	15-15					WM2	UNV	DMXSY		
------	-------	--	--	--	--	-----	-----	-------	--	--

<b>1</b> FIXTURE	CYNDER	CYNE	<b>5</b> OPTICS INDIRECT	10°	10	<b>7</b> MOUNTING	WALL MOUNT	WM2	<b>10</b> FINISH	TEXTURED WHITE	TW
				20°	20		Direct and Indirect			TEXTURED BLACK	TBL
<b>2</b> WATTAGE	15 WATTS	15-15		40°	40	<b>8</b> VOLTAGE	UNIVERSAL	UNV		TEXTURED BRONZE	TBR
				60°	60		120V - 277V			TEXTURED LIGHT BRONZE	TLB
<b>3</b> CCT INDIRECT	RGBW	RGBW	<b>6</b> OPTICS DIRECT	10°	10	<b>9</b> CONTROLS	DMX SYSTEM RESOLUTION	DMXSY		TEXTURED GRAY	TG
				20°	20		A DMX programmer for proper mixing is required. must order separately. For independent fixture control, please contact factory.			TEXTURED SANDSTONE	TS
<b>4</b> CCT DIRECT	RGBW	RGBW		40°	40					CUSTOM COLOR	CC
	DMX Programming and distribution kit required see below for details			60°	60					Contact factory for custom color. Additional charges will apply.	
				100°	100				<b>11</b> OPTIONS	CORROSION RESISTANT FINISH	CRF
										Corrosion Resistance Complies with ASTM B117 standard	
										CRF is recommended for coastal or extreme exterior environments	

### CONTROL & WIRING ORDER OPTIONS

[go to dmx guide >](#)

<b>DMX DISTRIBUTION &amp; PROGRAMMING KIT - REQUIRED</b>	
DMX/RDM DISTRIBUTION KIT (3 OUTPUTS) - IP67	CDS-RDM
DMX/RDM DISTRIBUTION KIT consists three outputs. Each output is limited to (1) run per output, up to 32 fixtures max. Three terminators are included for end of line termination.	

<b>RDM TOOL - OPTIONAL</b>	
DMX/RDM PROGRAMMING TOOL	RDM
A DMX/RDM measurement and test tool. Allows for RDM addressing and monitoring of Insight Lighting (and 3rd party) products that have RDM capability while also being able to test all elements of the DMX data signal to ensure proper system operation.	

PROJECT:	TYPE:	CATALOG #:	CYNE - 15 - RGBW - - - UNV - DMXSY - -
			CYNE - 15-15 - RGBW - RGBW - - - WM2 - UNV - DMXSY - -

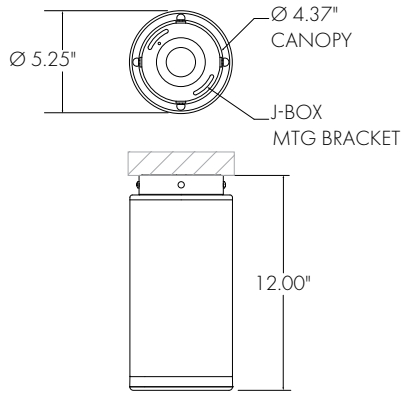
**FIXTURES PER CIRCUIT - BASED ON 13AMP CIRCUIT**

	15 WATTS	
FIXTURE	120V	277V
DIRECT OR INDIRECT	104	240
DIRECT AND INDIRECT	52	120

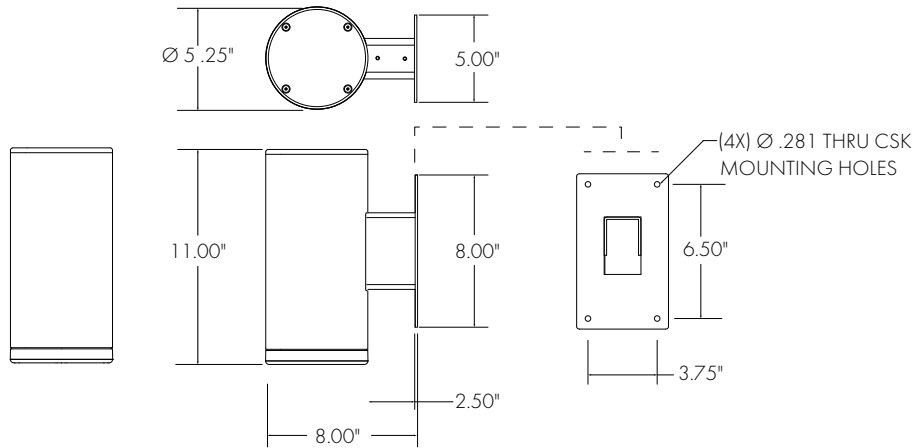
PROJECT:	TYPE:	CATALOG #:	CYNE - 15 - RGBW - - - UNV - DMXSY - -
			CYNE - 15-15 - RGBW - RGBW - - - WM2 - UNV - DMXSY - -

**DIMENSIONS**

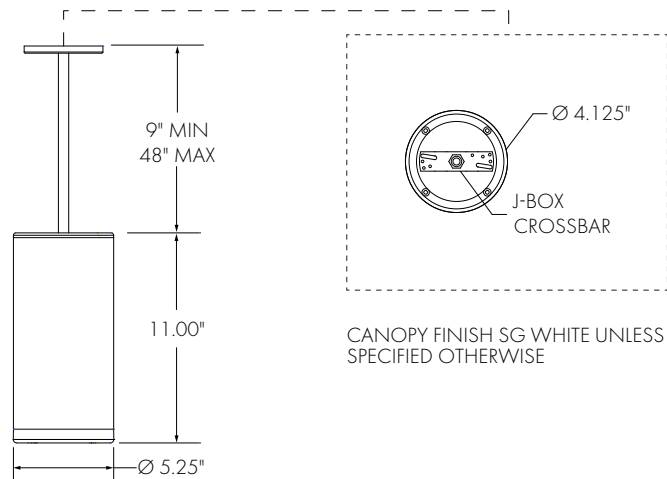
**CMD - CEILING MOUNT DOWNLIGHT**



**WMD, WMU - WALL DOWNLIGHT OR UPLIGHT**



**PND - PENDANT DOWNLIGHT (FOR INTERIOR USE ONLY)**



PROJECT:	TYPE:	CATALOG #:	CYNE - 15 - RGBW - - - UNV - DMXSY - -
			CYNE - 15-15 - RGBW - RGBW - - - WM2 - UNV - DMXSY - -

**DIMENSIONS**

**WM2 - WALL DIRECT AND INDIRECT**

