

**WARNING:**  
INSTALL PRODUCT IN ACCORDANCE WITH LOCAL AND NATIONAL ELECTRICAL CODES.

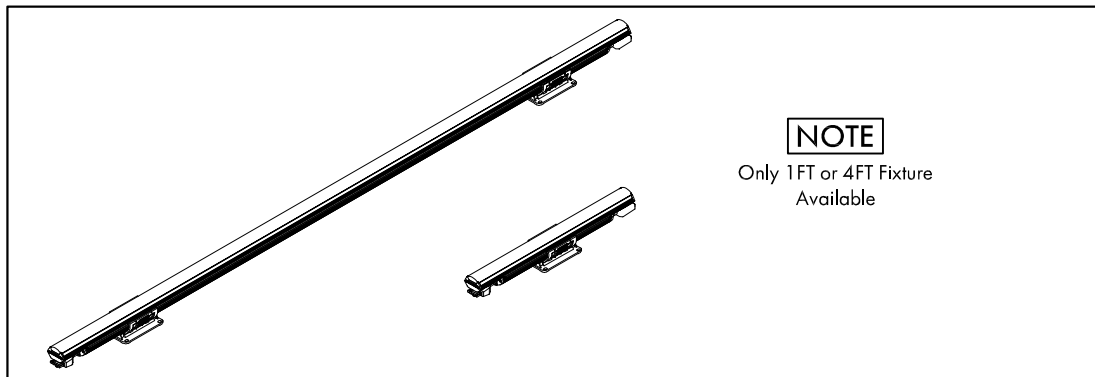
**WARNING:**  
FAILURE TO COMPLY WITH THE INSTALLATION INSTRUCTIONS MAY RESULT IN DEATH OR SERIOUS INJURY

**WARNING:**  
READ ALL SAFETY INSTRUCTIONS INCLUDED WITH PRODUCT BEFORE INSTALLING.

**CAUTION:**  
THIS IS AN ELECTRONIC DEVICE. CARE MUST BE TAKEN DURING STORAGE AND HANDLING. STORE IN A CLEAN, COOL AND DRY LOCATION. ELECTROSTATIC DISCHARGE (ESD) CAN HARM THIS PRODUCT. AVOID STATIC DISCHARGE WHILE HANDLING THIS PRODUCT.

**CAUTION:**  
INSIGHT LIGHTING IS NOT RESPONSIBLE FOR THE STRUCTURAL INTEGRITY OF THE BUILDING TO SUPPORT THE LUMINAIRE. ADDITIONAL BACKING MAY BE REQUIRED.

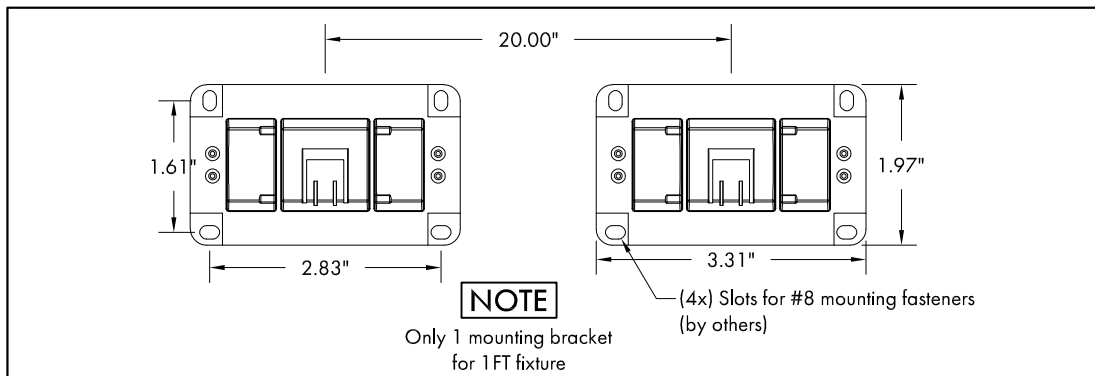
### ISOMETRIC VIEWS



**NOTE**

Only 1FT or 4FT Fixture Available

### MOUNTING DIMENSIONS

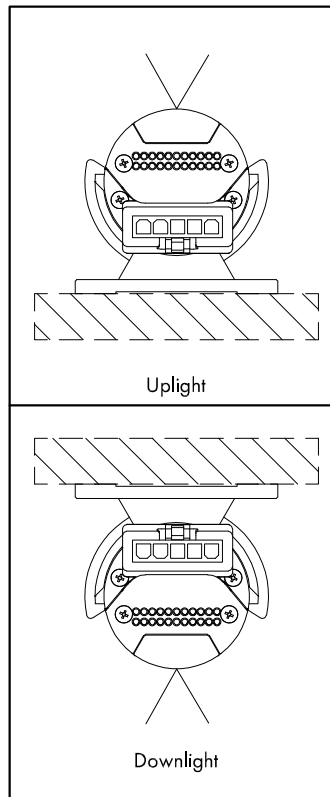


**NOTE**

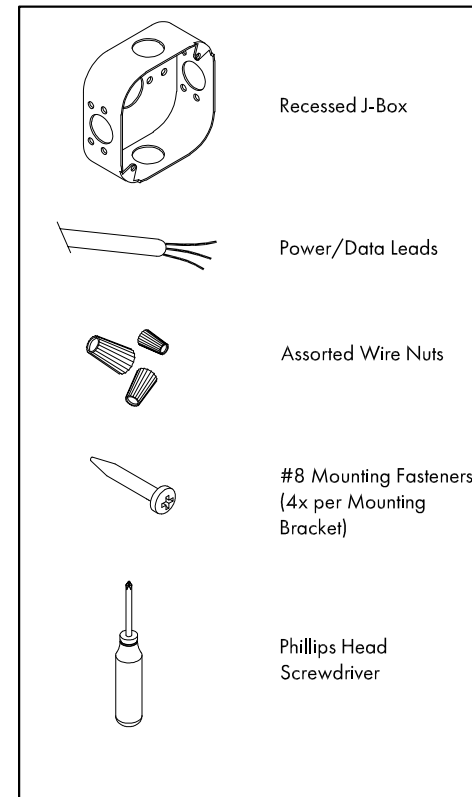
Only 1 mounting bracket for 1FT fixture

(4x) Slots for #8 mounting fasteners (by others)

### MOUNTING OPTIONS

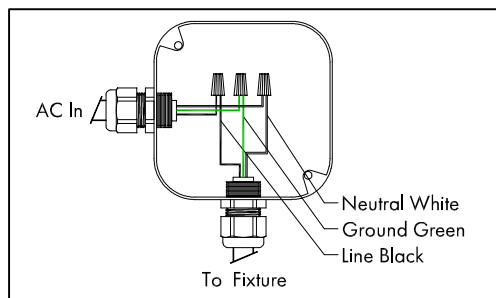


### ITEMS NEEDED (SUPPLIED BY OTHERS):

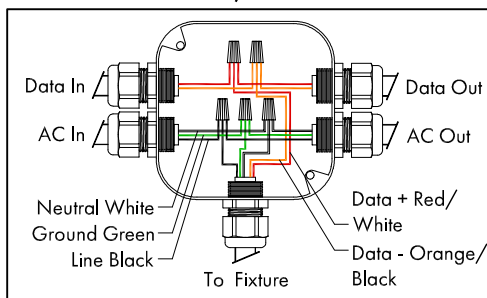


### WIRING DETAILS

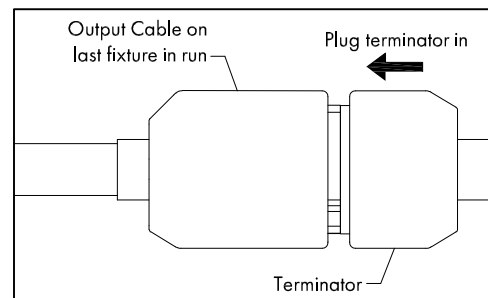
#### NON DIMMING



#### 0-10V DIMMING/DMX DAISY CHAIN



#### TERMINATOR INSTALLATION



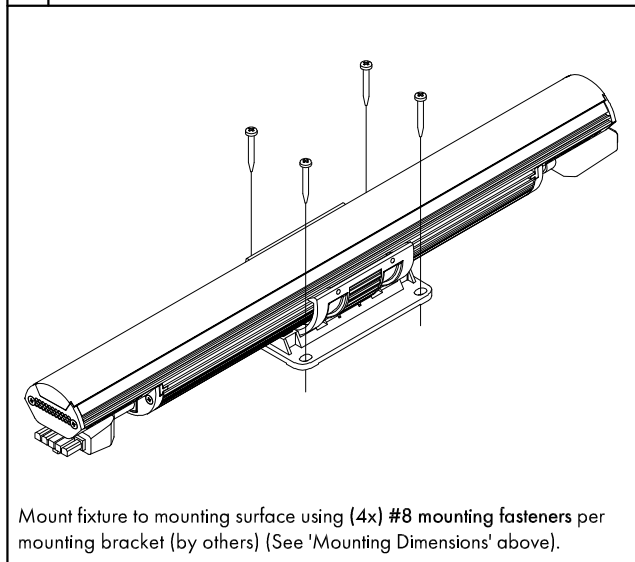
BLACK	WHITE	GREEN	ORANGE	RED
LINE	NEUTRAL	GROUND	DATA -	DATA +

DMX APPLICATIONS REQUIRE ONE OF THE FOLLOWING CABLES

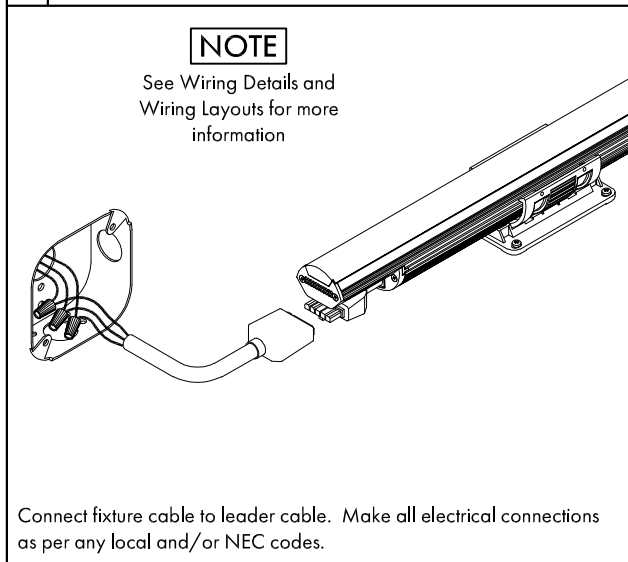
STANDARD DMX APPLICATIONS	
INDOOR	BELDEN 9841
PLENUM RATED	BELDEN 82841
OUTDOOR	BELDEN 3105A

### SURFACE MOUNT INSTALL

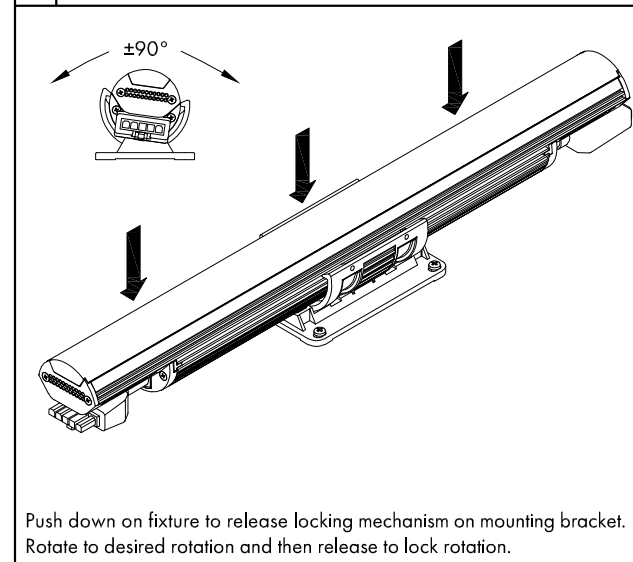
#### 1 INSTALL FIXTURE



#### 2 ELECTRICAL CONNECTIONS



#### 3 FINAL ADJUSTMENT



### MULTIPLE RUN

