

### ⚠ WARNING:

Install product in accordance with local and national electrical codes.

Failure to comply with the installation instructions may result in death or serious injury

Read all safety instructions included with product before installing

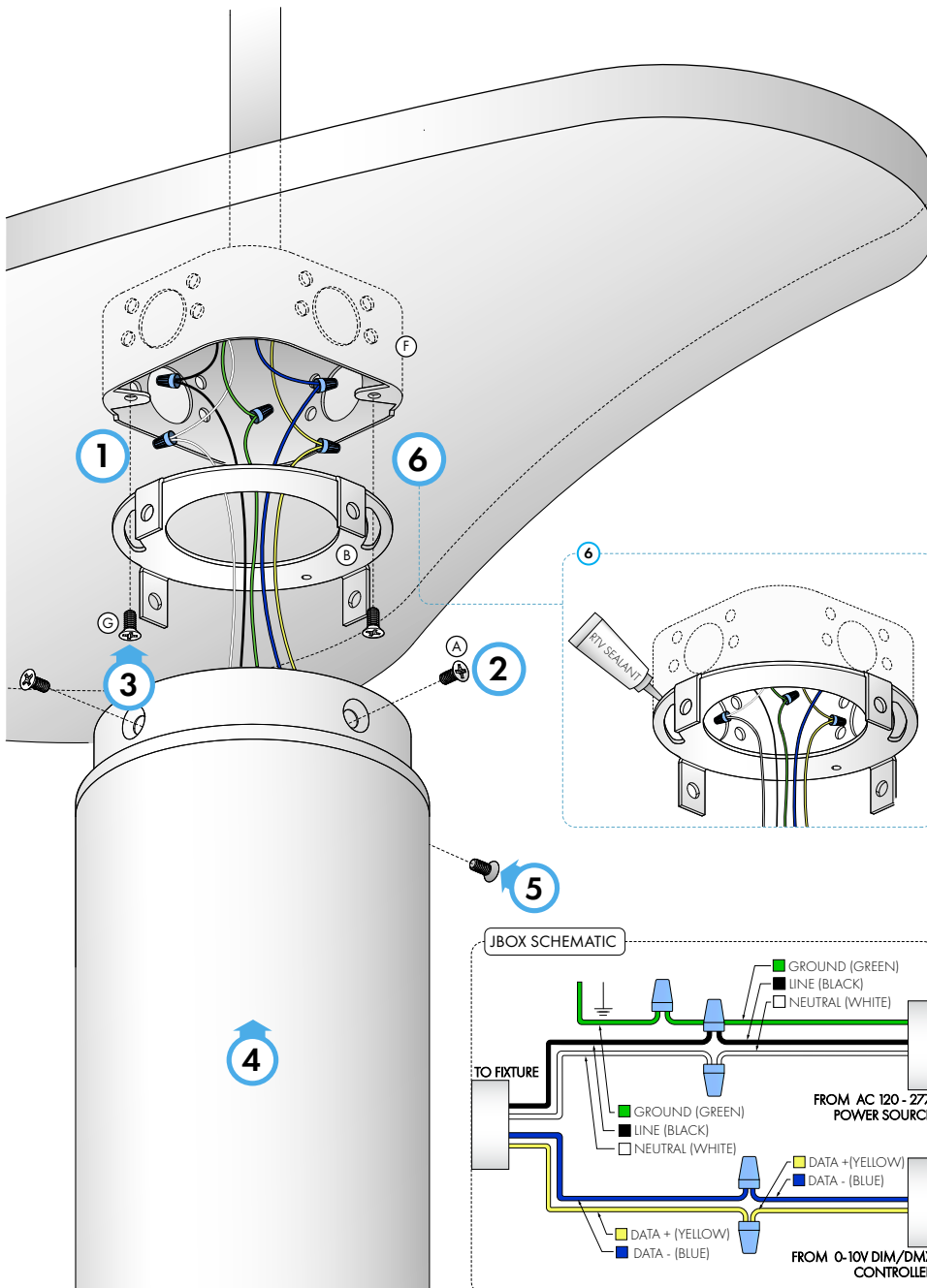
### ⚠ CAUTION:

Insight Lighting is not responsible for the structural integrity of the building to the luminaire. Additional backing may be required.

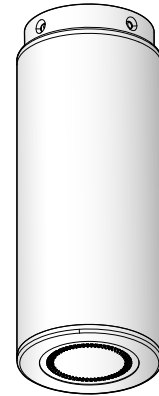
Care must be taken during storage and handling. Store in a clean, cool and dry location. Electrostatic discharge can harm this product. Avoid static discharge while handling this product.

### INSTALLATION STEPS

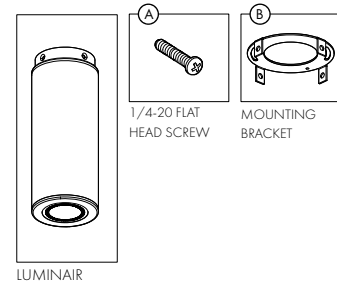
- 1 Feed wires through conduit to jbox. Make all electrical connections as per any local and/or NEC codes.
- 2 Remove (4) 8-32 mounting screws in order to remove the mounting bracket. Set screws aside.
- 3 Attach mounting bracket to jbox using (2) 8-32 fastener screws.
- 4 Raise luminaire to line up with mounting bracket.
- 5 Re-secure luminaire to mounting bracket using the same (4) 8-32 mounting screws that were set aside.
- 6 Apply RTV sealant around canopy after completing the install



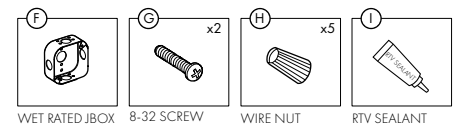
### FIXTURE PROFILE



### INCLUDED COMPONENTS



### NOT INCLUDED COMPONENTS



### INSTALLATION TYPE

