

⚠ WARNING:

Install product in accordance with local and national electrical codes.

Failure to comply with the installation instructions may result in death or serious injury

Use safe installation practices. Make all electrical connections with power turned off.

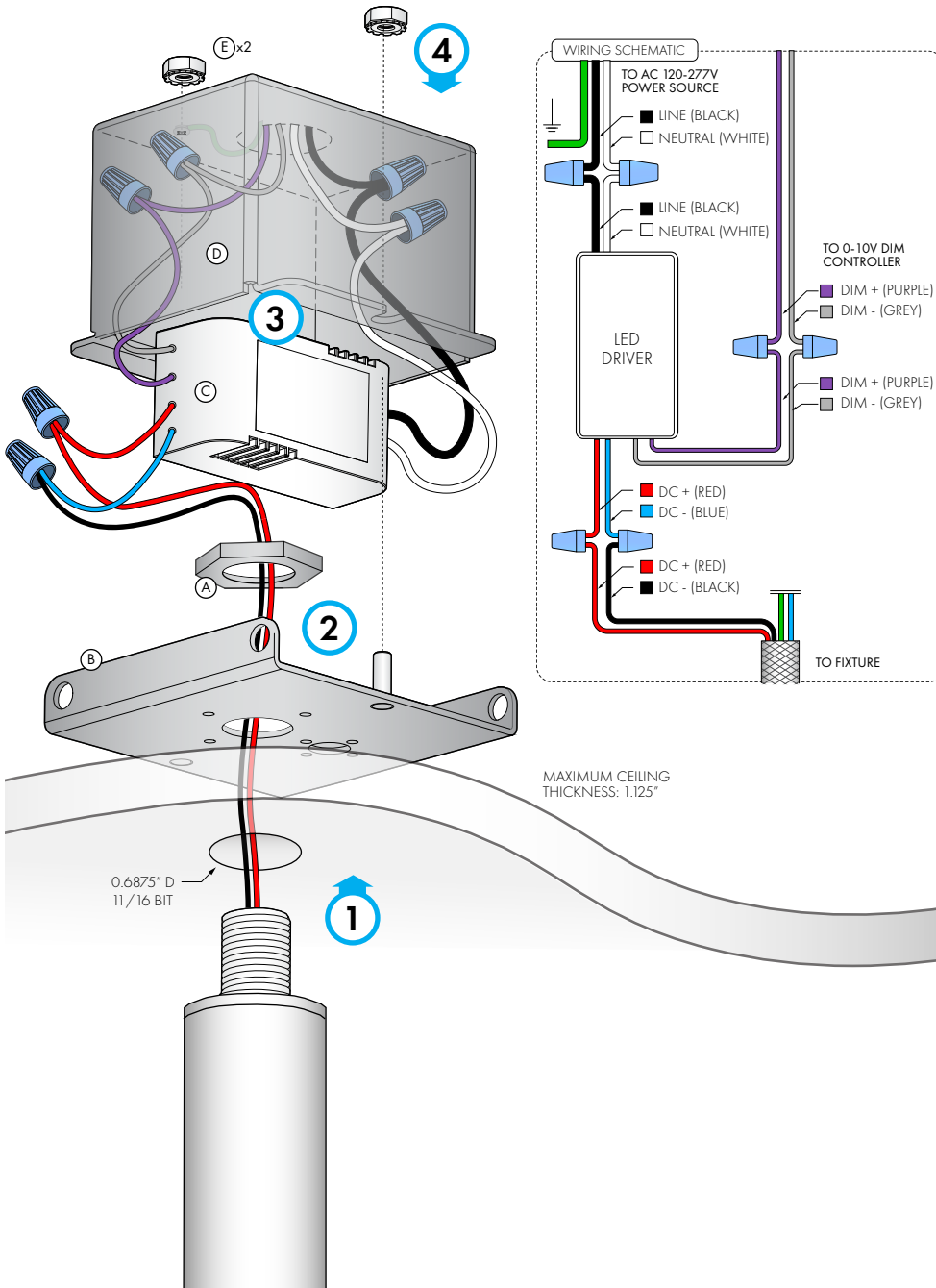
⚠ CAUTION:

Insight Lighting is not responsible for the structural integrity of the building to the luminaire. Additional backing may be required.

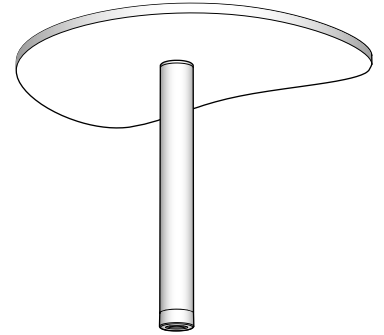
Care must be taken during storage and handling. Store in a clean, cool and dry location. Electrostatic discharge can harm this product. Avoid static discharge while handling this product.

INSTALLATION STEPS

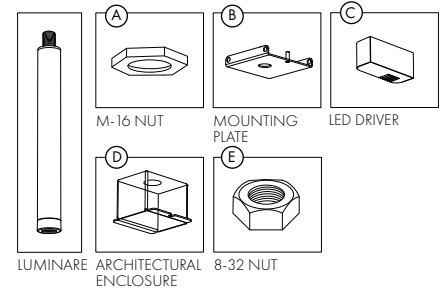
- 1 Raise fixture to ceiling and pass wire lead through ceiling and mounting plate.
- 2 Secure luminaire by screwing gripper nut (A) to threaded pipe on end of luminaire.
- 3 Make wiring connections to driver (C) inside of architectural enclosure (D).
- 4 Secure architectural enclosure (E) with 8-32 nut (F).



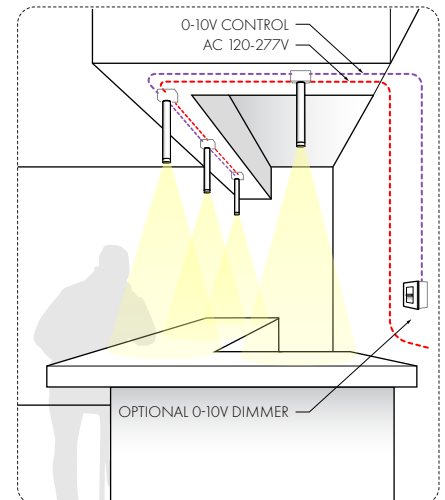
FIXTURE PROFILE



INCLUDED COMPONENTS



INSTALLATION EXAMPLE



⚠ WARNING:

Install product in accordance with local and national electrical codes.

Failure to comply with the installation instructions may result in death or serious injury

Use safe installation practices. Make all electrical connections with power turned off.

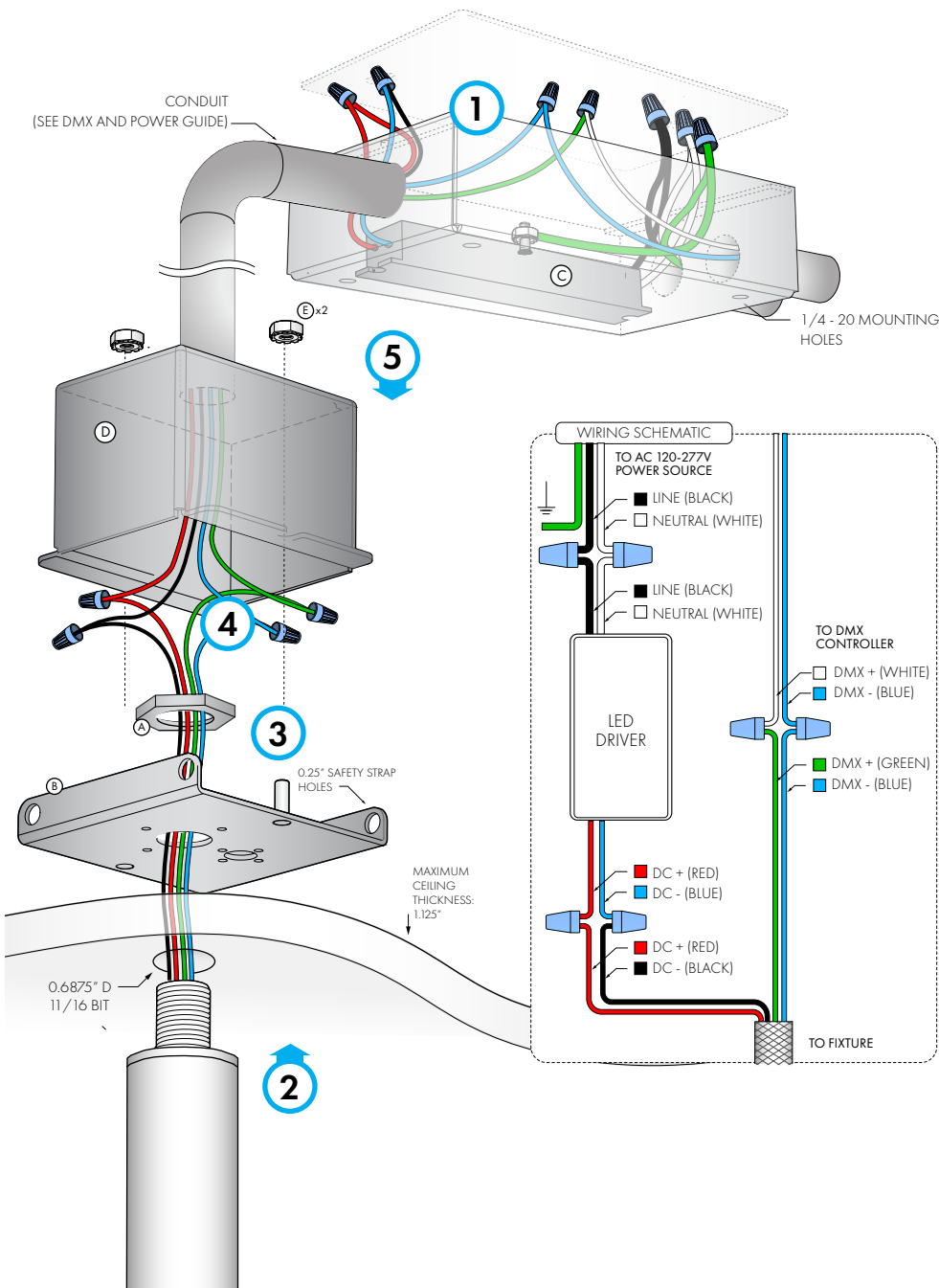
⚠ CAUTION:

Insight Lighting is not responsible for the structural integrity of the building to the luminaire. Additional backing may be required.

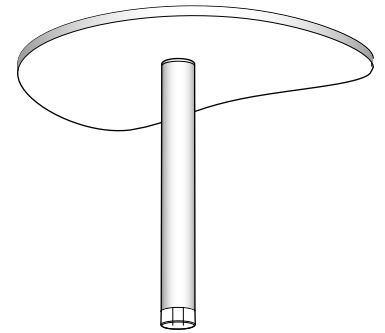
Care must be taken during storage and handling. Store in a clean, cool and dry location. Electrostatic discharge can harm this product. Avoid static discharge while handling this product.

INSTALLATION STEPS

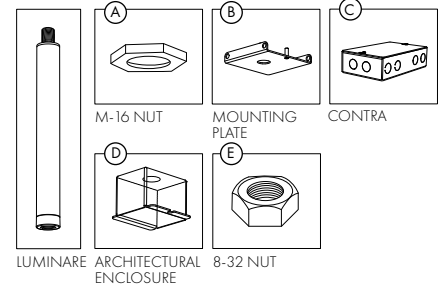
- 1 Mount enclosure, remove lid and connect DMX controller, power supply and LED driver. Secure lid.
- 2 Raise fixture to ceiling and pass wire lead through ceiling and mounting plate.
- 3 Secure luminaire by screwing gripper nut (A) to threaded pipe on end of luminaire.
- 4 Make wiring connections inside of architectural enclosure (D).
- 5 Secure architectural enclosure (E) with 8-32 nut (F).



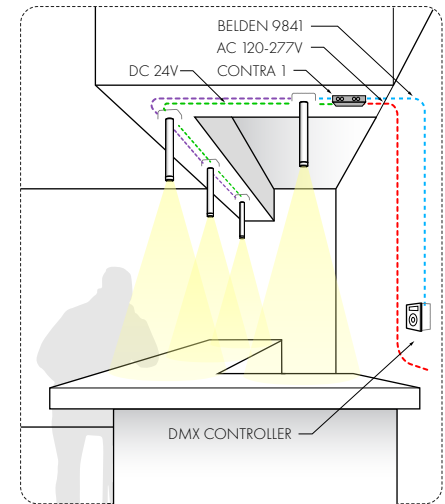
FIXTURE PROFILE



INCLUDED COMPONENTS



INSTALLATION EXAMPLE



⚠ WARNING:

Install product in accordance with local and national electrical codes.

Failure to comply with the installation instructions may result in death or serious injury

Use safe installation practices. Make all electrical connections with power turned off.

⚠ CAUTION:

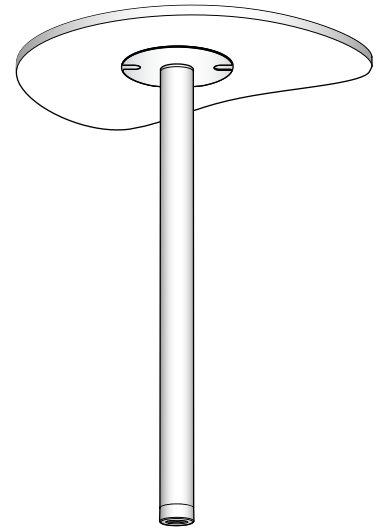
Insight Lighting is not responsible for the structural integrity of the building to the luminaire. Additional backing may be required.

Care must be taken during storage and handling. Store in a clean, cool and dry location. Electrostatic discharge can harm this product. Avoid static discharge while handling this product.

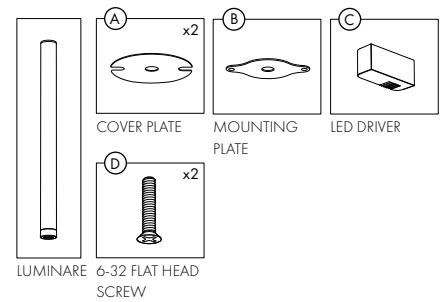
INSTALLATION STEPS

- 1 Screw the luminaire through both cover plates (A), and into the mounting plate (B).
- 2 Make all electrical connections and place LED driver (C) inside of the junction box.
- 3 Connect mounting plate (B) to the junction box with 2x 6-32 screws (D).
- 4 Twist bottom cover plate (A) in any direction to conceal screws.
- 5 Tighten luminaire.

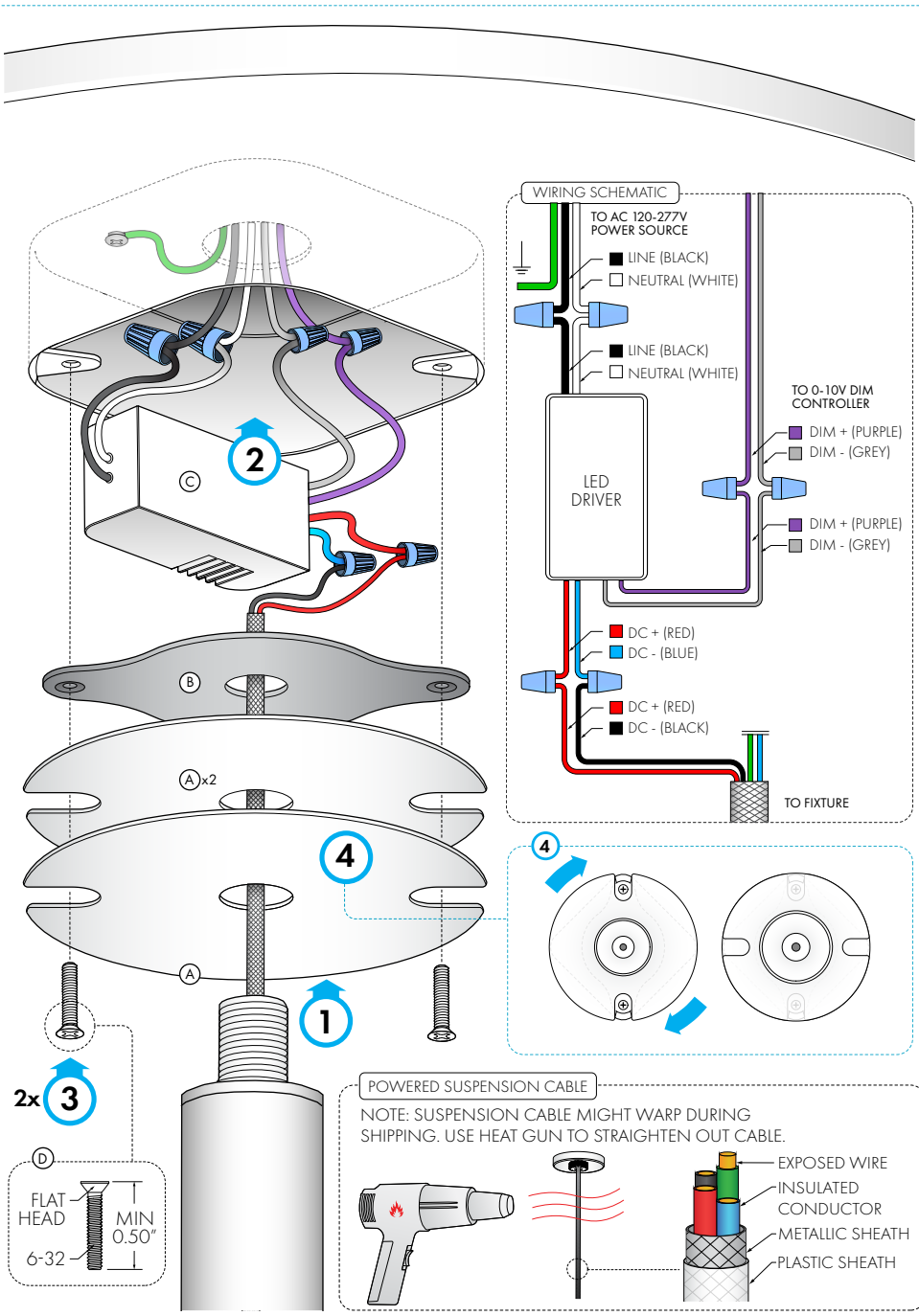
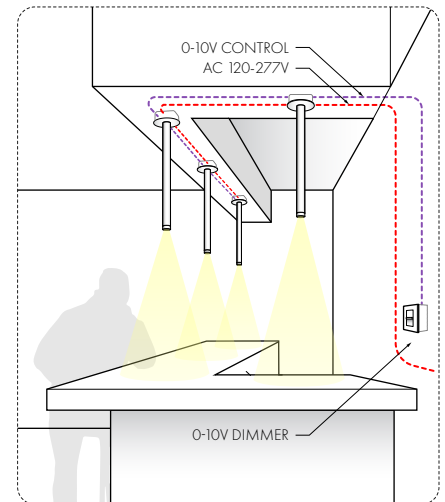
FIXTURE PROFILE



INCLUDED COMPONENTS



INSTALLATION EXAMPLE



⚠ WARNING:

Install product in accordance with local and national electrical codes.

Failure to comply with the installation instructions may result in death or serious injury

Use safe installation practices. Make all electrical connections with power turned off.

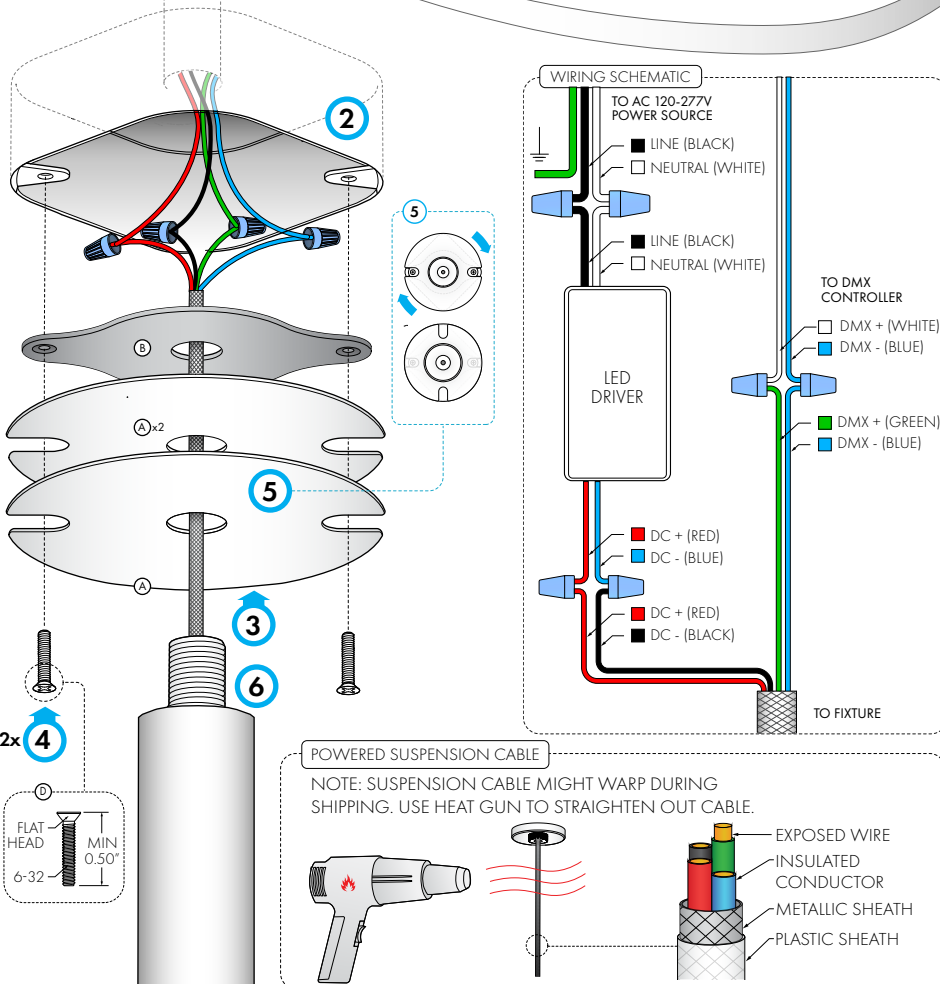
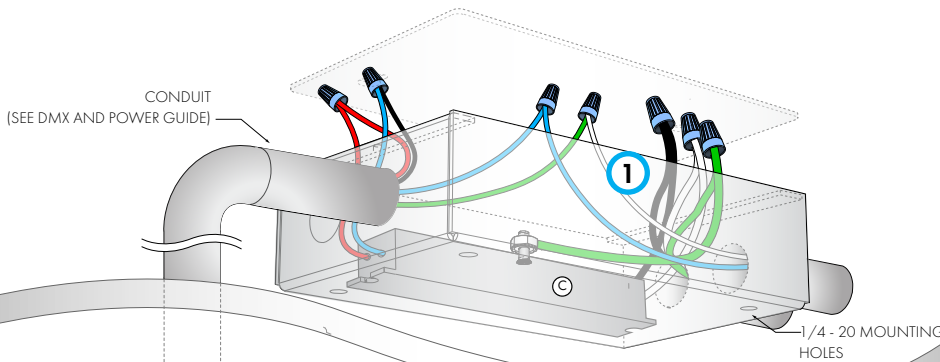
⚠ CAUTION:

Insight Lighting is not responsible for the structural integrity of the building to the luminaire. Additional backing may be required.

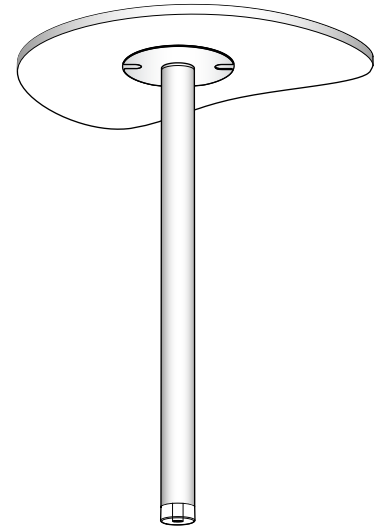
Care must be taken during storage and handling. Store in a clean, cool and dry location. Electrostatic discharge can harm this product. Avoid static discharge while handling this product.

INSTALLATION STEPS

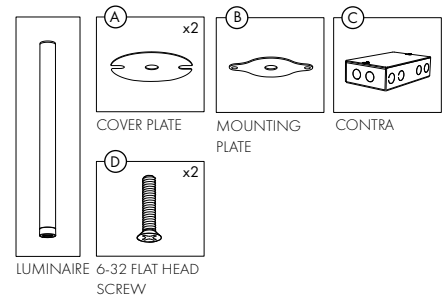
- 1 Mount enclosure, remove lid and connect DMX controller, power supply and LED driver. Secure lid.
- 2 Make all electrical connections inside J-Box
- 3 Screw the luminaire through both cover plates (A), and into the mounting plate (B).
- 4 Connect mounting plate (B) to the junction box with 2 X 6-32 screws (D).
- 5 Twist bottom cover plate (A) in any direction to conceal screws.
- 6 Tighten luminaire.



FIXTURE PROFILE



INCLUDED COMPONENTS



INSTALLATION EXAMPLE

