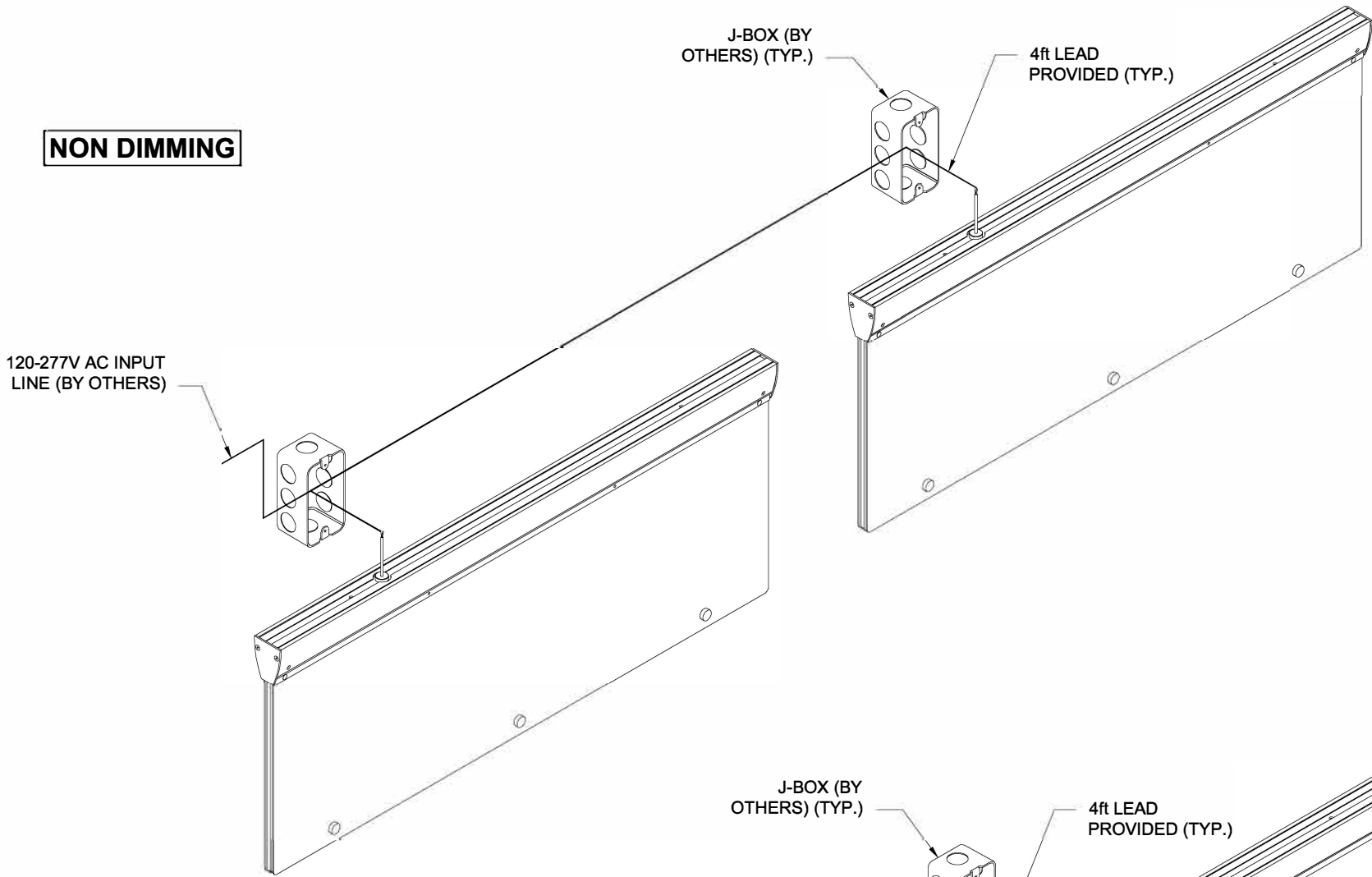


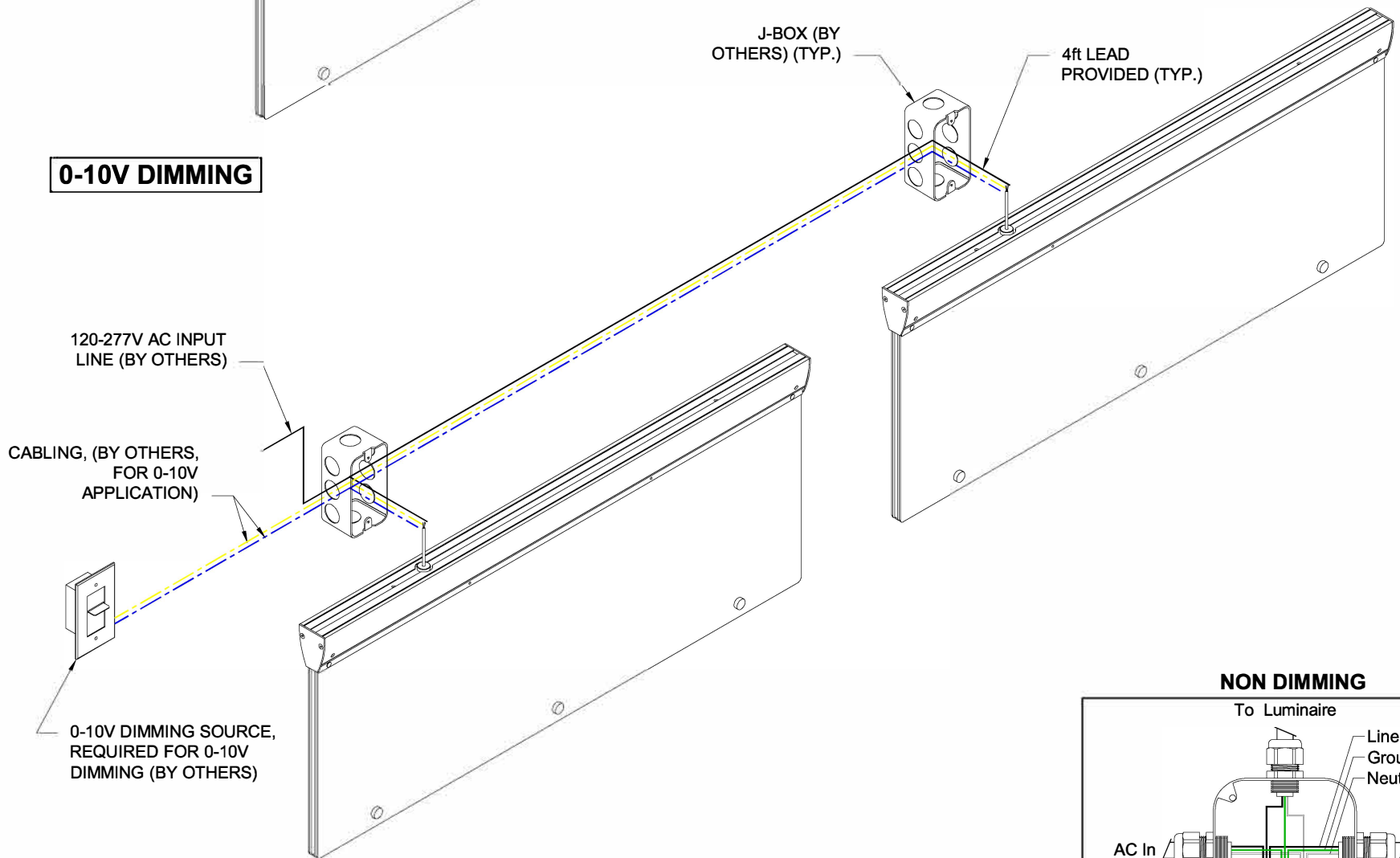
NOTE

SECONDARY CONNECTIONS
SHALL BE MADE IN ACCORDANCE
WITH NEC ARTICLE 725.

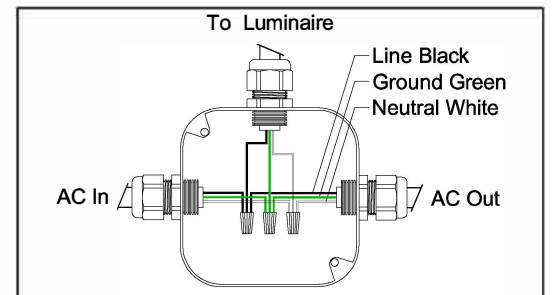
NON DIMMING



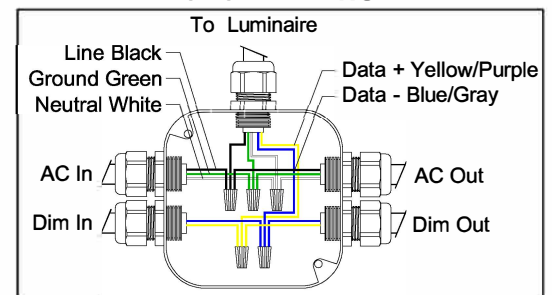
0-10V DIMMING



NON DIMMING



0-10V DIMMING



BLACK	WHITE	GREEN	BLUE/ GRAY	YELLOW/ PURPLE
LINE	NUETRAL	GROUND	DATA -	DATA +

MAXIMUM LINEAR FOOTAGE TABLE		
FIXTURE LENGTH	11 W/FT	
	120V	277V
4 FT	35 FT	82 FT
8 FT	18 FT	41 FT

*ALL WATTAGES ARE BASED ON A 13AMP MAX CIRCUIT LOAD