

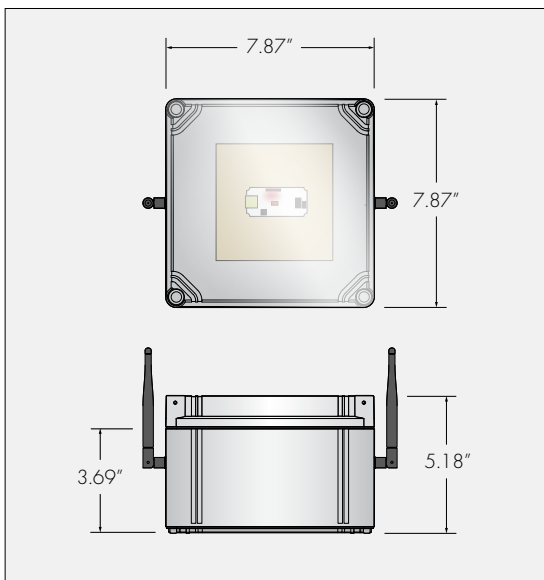
PROJECT:	TYPE:	CATALOG #: WE -
----------	-------	-----------------

**PROFILE**

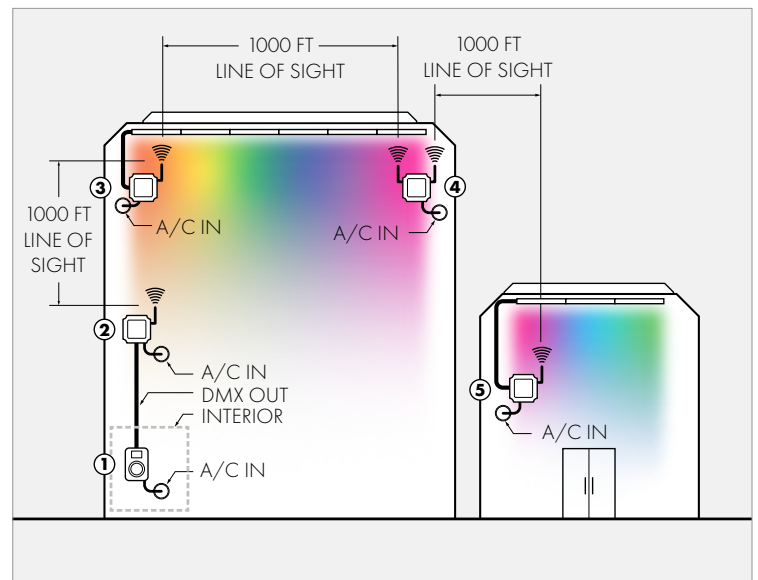
INPUT VOLTAGE	120 - 277 VAC
MAXIMUM CURRENT	800mA AT 7V
WATTAGE	5.6 W
OUTPUT TYPE	DMX AND RDM
MAX OUTPUT CHANNELS	512 CHANNELS
SUPPORTED PROTOCOLS	DMX-512A AND RDM E1.20
ENVIRONMENT	-20° C TO 60° C
ENCLOSURE SIZE	7.874"W X 7.874"L X 5.197"H
MATERIAL	GRAY ABX
WARRANTY	5 - YEAR LIMITED



**PROFILE**



**INSTALL EXAMPLE**



1. CONTROLLER
2. TRANSMITTER (WTRE)
3. WIRELESS IN FIXTURE (WRCN)
4. REPEATER (WRPE)
5. RECEIVER (WRCE)

PROJECT:	TYPE:	CATALOG #: WE -
----------	-------	-----------------

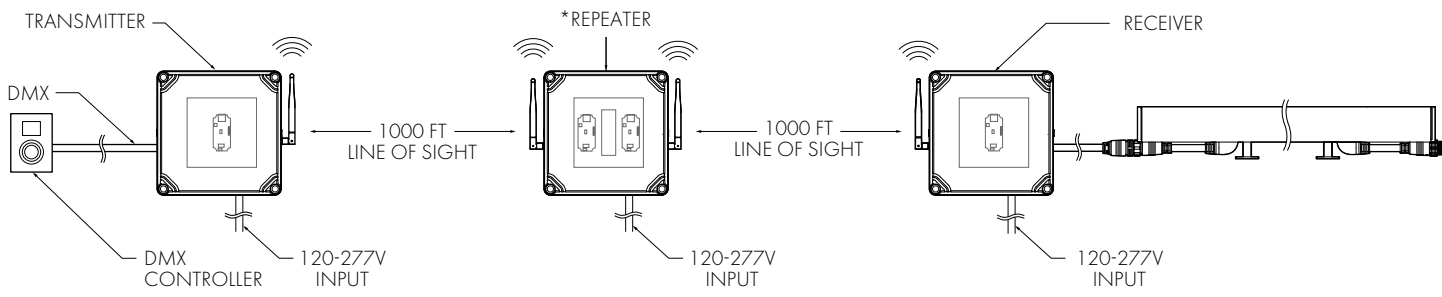
**SPECIFICATION**

WE
----

<b>1</b>	<b>2</b>
<b>1</b> PRODUCT	<b>2</b> TYPE
WIRELESS ENCLOSURE WE	TRANSMITTER TR
	RECEIVER RE
	REPEATER RP

**SYSTEMS**

**REMOTE WIRELESS (RW)**



\* Optional- dependent on layout  
Required when line of sight is obstructed